

# APOLLO BAYONET

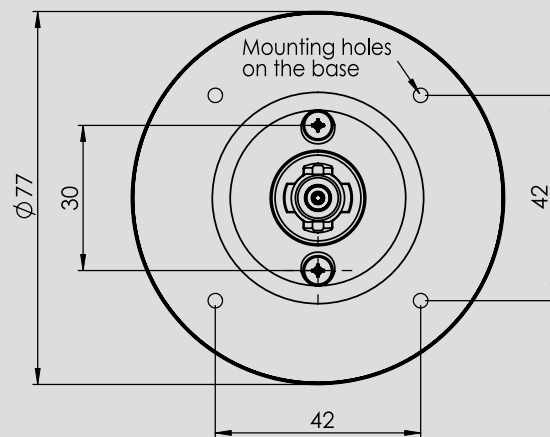
## PRODUCT SPECIFICATIONS

PS-AB-01/01-160811

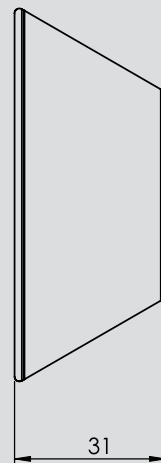


Apollo Bayonet is a lamp fitting specially designed to fit the Ulitium and T-lite lamp range. The Apollo Bayonet can be mounted on the ceiling, wall or mounted on the table to charge the Ulitium, T-lite or other Sundaya lamp models equipped with the bayonet fitting.

Top View



Side View



### Electrical details

Rated Voltage	30 V
Rated Current	0,5 A
Withstand Voltage	AC 500 V (50 Hz) at 1 minute
Insulation Resistance	$\geq 500$ M Ohm
Contact Resistance	$\leq 0,03$ Ohm
Actuating Force	3 to 20 N

### Mechanical details

Operating Temperature Range	-25 C to + 85 C
Enclosure Material	ABS N150UV, V-0
Connector & Terminal Material	Brass strip 0,8 X 4mm, Nickel Plated (low resistance)
Screw Materials	Brass, M3 philips Screw
Maximum Torque Value	8 kg / cm <sup>2</sup>
Product Dimensions ( $\phi \times H$ )	77 x 31 mm
Nett Product Weight	40 gr