

Manual

EN

Handleiding

NL

Manuel

FR

Anleitung

DE

Manual

ES

Användarhandbok

SE

Appendix

Phoenix Inverter Smart

12 | 1600 230V

12 | 2000 230V

12 | 3000 230V

24 | 1600 230V

24 | 2000 230V

24 | 3000 230V

48 | 1600 230V

48 | 2000 230V

48 | 3000 230V

24 | 5000 230V

48 | 5000 230V

1. SAFETY INSTRUCTIONS

General

Please familiarize yourself with the safety features and instructions by first reading the documentation supplied with this product before using the equipment. This product has been designed and tested in accordance with international standards. The equipment must be used exclusively for the purpose for which it was designed.

WARNING: ELECTRIC SHOCK HAZARD.

The product is used in combination with a permanent energy source (battery). Even if the equipment is switched off, a dangerous electrical voltage can occur at the input and/or output terminals. Always disconnect the battery before performing maintenance.

The product has no internal user-serviceable components. Do not remove the front plate or operate the product if any panels have been removed. All servicing must be undertaken by qualified personnel.

Never use the product where there is a risk of gas or dust explosions. Consult the battery manufacturer's information to ascertain that the product is intended for use in conjunction with the battery. Always comply with the battery manufacturer's safety instructions.

WARNING: Do not lift heavy loads without assistance.

Installation

Read the installation instructions in the installation manual before installing the equipment.

This is a Safety Class I product (supplied with a protective grounding terminal). **The chassis must be grounded.** A grounding point is located on the outside of the product. Whenever it is likely that the grounding protection has been damaged, the product must be turned off and secured against unintended operation; please contact qualified service staff.

Ensure that the DC and AC input cables are fused and fitted with circuit breakers. **There is no internal fuse inside this product.** Never replace a safety component with a different type. Consult the manual to determine the correct component.

During installation ensure that the remote connector with wire bridge is removed (or switch off the remote on/off switch if installed) to be sure that the inverter cannot be switched on unexpectedly.

Before applying power, ensure that the available power source matches the configuration settings of the product as described in the manual.

Ensure that the equipment is used under the correct ambient conditions. Never operate the product in a wet or dusty environment. Ensure there is adequate free space for ventilation around the product and check that the ventilation vents are not blocked.

Ensure that the required system voltage does not exceed the product's capacity.

Transport and Storage

Ensure that the mains power and battery leads have been disconnected before storing or transporting the product.

No liability can be accepted for any transport damage if the equipment is shipped in non-original packaging.

Store the product in a dry environment; the storage temperature must be between -20°C and 60°C.

Consult the battery manufacturer's manual in respect of transport, storage, charging, recharging and disposal of the battery.

2. DESCRIPTION

2.1 General

Bluetooth built-in: fully configurable with a tablet or smartphone

- Low battery voltage alarm trip and reset levels
- Low battery voltage cut-off and restart levels
- Dynamic cut-off: load dependent cut-off level
- Output voltage: 210 - 245V
- Frequency: 50 Hz or 60 Hz
- ECO mode on/off and ECO mode sense level
- Alarm relay

Monitoring:

- In- and output voltage, % load and alarms

For more information, refer to the [VictronConnect manual](#).

VE.Direct communication port

The VE.Direct port can be connected to a computer (VE.Direct to USB interface cable needed) to configure and monitor the same parameters.

Proven reliability

The full bridge plus toroidal transformer topology has proven its reliability over many years.

The inverters are short circuit proof and protected against overheating, whether due to overload or high ambient temperature.

High start-up power

Needed to start loads such as power converters for LED lamps, halogen lamps or electric tools.

ECO mode

When in ECO mode, the inverter will switch to standby when the load decreases below a preset value (min load turn on level: 10VA; and min load turn off level: 0VA). Once in standby the inverter will switch on for a short period (adjustable, default: every 3 seconds). If the load exceeds a preset level, the inverter will remain on.

Remote on/off

A remote on/off switch can be connected to a two pole connector, between battery plus and the left hand contact of the two pole connector or between battery minus and the right hand contact of the two pole connector

LED diagnosis

See section 3.3

To transfer the load to another AC source: the automatic transfer switch

For our low power inverters we recommend our Filax Automatic Transfer Switch. The Filax features a very short switchover time (less than 20 milliseconds) so that computers and other electronic equipment will continue to operate without disruption. Alternatively use a MultiPlus with built-in transfer switch.

3. OPERATION

3.1 On/Off Push button

When switched to "on" with the pushbutton, the product is fully functional. The inverter will come into operation and the LED "inverter" will light up. By pushing the push button subsequently, within a short period of time, the inverter toggles between "on", "ECO" and "off". The inverter goes into sleep mode with minimal current consumption when the unit is turned off by the pushbutton.

Apart from the pushbutton; the inverter can also be switched on (normal or ECO) and off with Bluetooth on a mobile device running iOS or Android and the VictronConnect app. However when switched off via Bluetooth or the push button; the unit **cannot** be switched on and off again via the wired VE.Direct port.

On/Off Switch (5kVA only)

The 5kVA unit has a main on/off switch next to the cable entries on the right side. This switch; when turned off, will cut off the supply current completely.

3.2 Remote control

Remote control is possible with a simple on/off switch or with a Phoenix Inverter Control panel. A switch for remote control (on/off) can be connected to a two pole connector. The switch can also be connected between battery plus and the left hand contact of the two pole connector (marked "H"; see appendix A) or between battery minus and the right hand contact of the two pole connector (marked "L"; see appendix A).



For safety purposes, this product can be turned off completely (i.e. the inverter cannot be switched on via the push button or Bluetooth) by removing the remote connector and its default installed wire bridge (or switch off the remote on/off switch if installed). The user can then be certain that the inverter cannot be switched on accidentally via Bluetooth by an unexpected other user.

3.3 LED definitions

Green LED	Status	Trouble shooting
●●●●●●●●	Inverter on	Red LED Off status OK Red LED On or blinking: The Inverter is still on, but will shut down when the condition gets worse. See red LED table for warning reason
●●-----	ECO mode	If the inverter keeps switching on and off while there is a load connected, the load may be too small compared to the actual ECO mode settings. Increase the load or change ECO mode settings. (minimum ECO mode setting: 15W)
●-●-----	Off and waiting	Inverter did shut down because of a protection. The inverter will restart automatically as soon as all alarm conditions are cleared. See red LED state for the shutdown reason.
-----	Inverter off	Red LED Off Check Remote on/off connector. Check DC cable connections and fuses. Check operational mode by pushing push button one time. Red LED On or blinking The inverter did shut down because of a protection. It will no longer automatically restart. The red LED indicates the reason for shutdown. Remove the cause and then restart the inverter by switching it Off, and then back On.
●-●-●-●-	Off and firmware update in progress or failed	Red LED Blinking (-●-●-●-●) Firmware update in progress or firmware update failed. When failed; retry firmware update.

Yellow LED	Status	Trouble shooting
●●●●●●●●	ECO mode	Red LED Off status OK Red LED On or blinking: The Inverter is still on, but will shut down when the condition gets worse. See red LED table for warning reason
-----	ECO mode off	Red LED Off Check operational mode by pushing push button one time. Check Remote on/off connector. Check DC cable connections and fuses. Red LED On or blinking The inverter did shut down because of a protection. It will no longer automatically restart. The red LED indicates the reason for shutdown. Remove the cause and then restart the inverter by switching it Off, and then back On.

Red LED		Definition	Trouble shooting
●●●●●●●●	Solid on	Overload	Reduce load
●●●●-----	Slow blink	Low batt.	Recharge or replace battery Check DC cable connections Check cable cross section as it may be insufficient. See section 4.2 Protections and automatic restarts for manual and automatic restart behavior.
●-●-●-●-	Fast blink	High batt.	Reduce DC input voltage, check for faulty charger
●-●-----	Double pulse	High temp.	Reduce load and/or move inverter to better ventilated area
●-----	Fast single pulse	High DC ripple	Check DC cable connections and cable cross section.

3.4 Protections and automatic restarts

Overload

Some loads like motors or pumps draw large inrush currents in a start-up situation. In such circumstances, it is possible that the start-up current exceeds the over current trip level of the inverter. In this case the output voltage will quickly decrease to limit the output current of the inverter. If the over current trip level is continuously exceeded, the inverter will shut down: wait 30 seconds and then restart.

After three restarts followed by another overload within 30 seconds of restarting, the inverter will shutdown and remain off. The LEDs will signal shutdown due to overload. To restart the inverter, switch it Off, then On.

Low battery voltage (adjustable)

The inverter will shut down when the DC input voltage drops below the low battery shutdown level. After a minimum delay of 30 seconds, the inverter will restart if the voltages rise above the low battery restart level.

After three restarts followed by a low battery shutdown within 30 seconds of restarting, the inverter will shutdown and stop retrying. The LEDs will signal low battery shutdown. To restart the inverter, switch it Off, and then On, or recharge the battery: as soon as the battery has risen and then stays above the Charge detect level for 30 seconds, it will switch on.

See the Technical Data table for default low battery shutdown and restart levels. They can be changed with the VictronConnect App.

High battery voltage

Reduce DC input voltage and/or check for a faulty battery- or solar-charger in the system. After shutting down due to a high battery voltage, the inverter will first wait 30 seconds and then retry operation as soon as the battery voltage has dropped to acceptable level. The inverter will not stay off after multiple retries.

High temperature

A high ambient temperature or enduring high load may result in shut down to over temperature. The inverter will restart after 30 seconds. The inverter will not stay off after multiple retries. Reduce load and/or move inverter to better ventilated area.

High DC ripple

High DC ripple is usually caused by loose DC cable connections and/or too thin DC wiring. After the inverter has switched off due to high DC ripple voltage, it waits 30 seconds and then restarts.

After three restarts followed by a shutdown due to high DC ripple within 30 seconds of restarting, the inverter will shutdown and stops retrying. To restart the inverter, switch it Off and then On.

Continuous high DC ripple reduces the inverter life expectancy.

4. INSTALLATION



This product should be installed by a qualified electrician.



During installation ensure that the remote connector with wire bridge is removed (or switch off the remote on/off switch if installed) to be sure that the inverter cannot be switched on unexpectedly.

4.1 Location

The product must be installed in a dry and well-ventilated area, as close as possible to the batteries. There should be a clear space of at least 10cm around the appliance for cooling.



Excessively high ambient temperature will result in the following:
 Reduced service life.
 Reduced charging current.
 Reduced peak capacity, or shutdown of the inverter.
 Never mount the appliance directly above the batteries.

The product is suitable for wall mounting. For mounting see appendix A.
 The appliance can be mounted horizontally as well as vertically; vertical mounting is preferable. The vertical position offers optimum cooling.



The interior of the product must remain accessible after installation.

Try and keep the distance between the product and the battery to a minimum in order to minimize cable voltage losses.



For safety purposes, this product should be installed in a heat-resistant environment if it is used with equipment where a substantial amount of power is to be converted. You should prevent the presence of e.g. chemicals, synthetic components, curtains or other textiles, etc., in the immediate vicinity.

4.2 Connection of Battery cables

In order to fully utilize the full capacity of the product, batteries with sufficient capacity and battery cables with sufficient cross section should be used. See table.

	12/1600	24/1600	48/1600	12/2000	24/2000	48/2000
Recommended fuse	250A	125A	60A	300A	150A	80A
Recommended cross section (mm ²)						
0 – 5 m	70	35	16	70	50	25
5 -10 m	Not recommended	70	25	Not recommended	95	50

	12/3000	24/3000	48/3000	24/5000	48/5000
Recommended fuse	400A	250A	125	400A	200A
Recommended cross section (mm ²)					
0 – 5 m	2x 95*	1x 50	1x 35	2x 95*	1x 70
5 -10 m	Not recommended	2x 50	2x 35	2x 95	2x 70

*One cable must be sized to carry the rated fuse current without overheating.

Do not locate battery cables in a closed conduit.

Please follow local installation rules.

	12/1600	24/1600	48/1600	12/2000	24/2000	48/2000
Recommended battery capacity (Ah)	300 - 800	150 - 400	75 - 200	350 - 1000	200 - 500	100 - 250

	12/3000	24/3000	48/3000	24/5000	48/5000
Recommended battery capacity (Ah)	400 - 1200	200 - 700	100 - 400	300 - 1500	150 - 700

Remark: Internal resistance is the important factor when working with low capacity batteries. Please consult your supplier or the relevant sections of our book "electricity on board", downloadable from our website.

Procedure

Proceed as follows to connect the battery cables:



Use an insulated box spanner in order to avoid shorting the battery.
Avoid shorting the battery cables.

Connect the battery cables: the + (red) and the - (black), to the battery see appendix A.
Reverse polarity connection (+ to - and - to +) will cause damage to the product.
Secure the nuts tightly in order to reduce the contact resistance as much as possible.

4.3 Connection of the AC cabling

This is a Safety Class I product (supplied with a protective grounding terminal).



The neutral wire of the AC output of this inverter is connected to the chassis (see appendix B for 1600VA/2000VA and appendix C for 3000VA/5000VA).

This is to ensure proper functioning of a GFCI (or RCCB) to be installed in the AC output of the Inverter.
The chassis of the product must be connected to ground, to the frame (of a vehicle) or the ground plate or hull (of a boat).

Procedure

The terminal points are indicated clearly. From left to right: "L" (phase), "N" (neutral) and "PE" (earth).

4.4 Optional Connections

A number of optional connections are possible:

4.4.1 Remote on/off switch & remote Control panel

The product can be remotely controlled in three ways.

- With a smart phone (iOS or Android) and the Victron Connect app.
- With an external switch (connected to the two pole remote connector). Operates only if the switch on the Inverter is set to "on".
- With a Phoenix Inverter Control VE.Direct panel (connected to the two pole remote connector; see appendix A). Operates only if the switch on the inverter is set to "on".

4.4.2. Programmable relay

The inverters are equipped with a multi-functional relay that by default is programmed in the normal operation mode. (VictronConnect software needed to change relay functionality). The different relay modes can be summarized as follows:

- Normal operation ("inverter" in VictronConnect app) – default

Relay closed during normal operation, and open when the inverter has switched off itself in alarm, has been switched off by a user and also open (of course) when there is no power available on the terminals, ie. battery disconnected. In ECO mode, the relay will be closed both when searching for a load and when fully on, ie. load detected.

Use this option when you want the relay to signal that there is power available on the output of the inverter.

- Warnings and alarms ("alarm" in VictronConnect app)

Similar to above, but then the relay will also open when there is a warning. For example because the battery voltage dropped to the cut-off value, or when loaded to the point where it will almost shut down due to overload. In ECO mode, the relay will be closed both when searching (no load) and when fully on (load detected), except when there is a warning.

Use this option when you want the relay to signal that it is time to do something (charge the battery, reduce the load, and-so-forth), in order to prevent a power outage.

- Low battery ("Low battery" in VictronConnect app)

Relay on during normal operation. The relay will switch off once there is a low battery warning. It will remain off in case the inverter shuts down due to low voltage, and will only switch back on again once the inverter is operational and the battery voltage is above the pre-alarm reset level. Use this option for load shedding, or to automatically start a generator. Note that this can only be considered a poor-mans generator start/stop. For more and better options, see here.

- External fan ("fan" in VictronConnect app)

Relay is off, unless the fan inside the inverter is running. Use this option to switch an external fan, for situations when the inverter is in a small enclosed space.

- Disabled relay ("off" in VictronConnect app)

This option sets the relay in the OPEN position. Use this option if you do not plan to use the relay function.

5. CONFIGURATION



Settings may only be changed by a qualified engineer.
Carefully read the instructions before changes are made.
Batteries should be placed in a dry and well-ventilated area during charging.

5.1 Standard settings: ready for use

On delivery, the Phoenix inverter is set to standard factory values. In general, these settings are suitable for stand-alone operation.

Standard factory settings

Inverter frequency	50 Hz
Inverter voltage	230 VAC
Search mode	off
Programmable relay	alarm function
Dynamic cut-off	off

5.2 Explanation of settings

Inverter frequency

Output frequency
Adjustability: 50Hz; 60Hz

Inverter voltage

Adjustability: 210 – 245V

ECO Mode

If ECO mode is 'on', the power consumption in no-load operation is decreased by approx. 80...90%. In this mode the Phoenix Inverter Smart, when operating in inverter mode, is switched off in case of no load or very low load, and switches on every two and a half seconds for a short period (adjustable). If the output current exceeds a set level, the inverter will continue to operate. If not, the inverter will shut down again.

The ECO Mode can be set with the push button on the front of the inverter.

The ECO Mode "shut down" and "remain on" load levels can be set with Victron Connect .

The factory settings are:

Shut down: 50 Watt (linear load).

Turn on: 100 Watt (linear load).

Programmable relay

By default, the programmable relay is set as an alarm relay, i.e. the relay will de-energise in the event of an alarm or a pre-alarm (inverter almost too hot, ripple on the input almost too high, battery voltage almost too low).

Dynamic Cut-off

Use VictronConnect to enable and configure Dynamic Cut-off (see <https://www.victronenergy.com/live/ve.direct:phoenix-inverters-dynamic-cutoff> for details).

Do not use Dynamic Cut-off in an installation that also has other loads connected to the same battery: the battery voltage will drop because of the extra load, but the Dynamic Cut-off algorithm in the Inverter is not aware of that load: hence the Inverter will shut down too early with an under voltage alarm.

5.3 Configuration by computer

All settings can be changed by means of a smartphone, tablet or computer

For changing settings with a smartphone or tablet, the following is required:

- VictronConnect software: can be downloaded free of charge at www.victronenergy.com.

For changing settings with the computer, the following is required:

- VictronConnect software: can be downloaded free of charge at www.victronenergy.com.

- A VE.Direct to USB interface.

6. MAINTENANCE

The Phoenix Inverter Smart does not require specific maintenance. It will suffice to check all connections once a year. Avoid moisture and oil/soot/vapours, and keep the device clean.

7. Technical data

Phoenix Inverter Smart	12/1600 24/1600 48/1600	12/2000 24/2000 48/2000	12/3000 24/3000 48/3000	24/5000 48/5000
Parallel and 3-phase operation	No			
INVERTER				
Input voltage range (1)	9,3 – 17V 18,6 – 34V 37,2 – 68V			
Output	Output voltage: 230VAC ±2% 50 Hz or 60Hz ± 0,1% (1)			
Cont. output power at 25°C (2)	1600 VA	2000 VA	3000 VA	5000 VA
Cont. output power at 25°C	1300 W	1600 W	2400 W	4000 W
Cont. output power at 40°C	1200 W	1450 W	2200 W	3700 W
Cont. output power at 65°C	800 W	1000 W	1700 W	2800 W
Peak power	3000 W	4000 W	6000 W	10000 W
Dynamic (load dependent) DC low shut down (fully configurable)	Dynamic cut-off, see https://www.victronenergy.com/live/ve.direct:phoenix-inverters-dynamic-cutoff			
Max. efficiency 12/ 24 /48 V	92 / 94 / 94%	92 / 94 / 94%	93 / 94 / 95%	95 / 96%
Zero load power 12 / 24 / 48 V	8 / 9 / 11 W	8 / 9 / 11 W	12 / 13 / 15 W	18 / 20 W
Zero load power in ECO mode	0.6 / 1.3 / 2.1 W	0.6 / 1.3 / 2.1 W	1.5 / 1.9 / 2.8 W	2.2 / 3.2 W
GENERAL				
Programmable relay (2)	Yes			
Stop & start power ECO-mode	adjustable			
Protection (3)	a - g			
Bluetooth wireless communication	For remote monitoring and system integration			
VE.Direct communication port	For remote monitoring and system integration			
Remote on-off	Yes			
Common Characteristics	Operating temperature range: -40 to +65°C (fan assisted cooling) Humidity (non-condensing): max 95%			
ENCLOSURE				
Common Characteristics	Material & Colour: steel (blue RAL 5012; and black RAL 9017) Protection category: IP 21			
Battery-connection	M8 bolts	M8 bolts	12 V/24 V: 2+2 M8 bolts 48 V: M8 bolts	24 V: 2+2 M8 bolts 48 V: M8 bolts
230 V AC-connection	Screw terminals			
Weight	12kg	13kg	19kg	29kg / 28kg
Dimensions (hxwxd)	485 x 219 x 125mm	485 x 219 x 125mm	533 x 285 x 150mm (12 V) 485 x 285 x 150mm (24 V/48 V)	595 x 295 x 160mm (24 V) 555 x 295 x 160mm (48 V)
STANDARDS				
Safety	EN-IEC 60335-1			
Emission Immunity	EN 55014-1 / EN 55014-2 / EN-IEC 61000-6-1 EN-IEC 61000-6-2 / EN-IEC 61000-6-3			
Automotive Directive	ECE R10-5			
1) Non-linear load, crest factor 3:1 2) Programmable relay that can a.o. be set for general alarm, DC under voltage or genset start/stop function. AC rating: 230 V / 3 A DC rating: 3 A up to 30 VDC, 0.2A up to 70 VDC	3) Protection key: a) output short circuit b) overload c) battery voltage too high d) battery voltage too low e) temperature too high f) 230 V AC on inverter output g) input voltage ripple too high			

1. VEILIGHEIDSINSTRUCTIES

Algemeen

Gelieve op de hoogte te zijn van deze veiligheidskenmerken en instructies door eerst de meegeleverde documentatie bij dit product goed te lezen voordat u de apparatuur in gebruik gaat nemen. Dit product is ontworpen en getest in overeenstemming met internationale normen. De apparatuur mag uitsluitend worden gebruikt voor het doel waarvoor deze is ontworpen.

WAARSCHUWING: GEVAAR VOOR ELEKTRISCHE SCHOKKEN.

Het product wordt in combinatie met een permanente energiebron (batterij) gebruikt. Ingangs- en / of uitgangsklemmen kunnen nog steeds gevaarlijk onder stroom staan, zelfs als de apparatuur is uitgeschakeld. Altijd de AC-voeding en de accu uitschakelen alvorens onderhouds- of reparatiewerkzaamheden aan de batterij uit te voeren.

Het product is niet uitgerust met interne onderdelen die door de gebruiker kunnen worden onderhouden. De voorplaat niet verwijderen en bedien het product niet als er panelen zijn verwijderd. Alle onderhoudswerkzaamheden moeten door gekwalificeerd personeel worden uitgevoerd.

Het product nooit gebruiken op plaatsen waar gas- of stofexplosies kunnen optreden. Raadpleeg de informatie van de batterijfabrikant om te controleren of het product is bestemd voor gebruik in combinatie met de accu. Altijd de veiligheidsinstructie van de batterijfabrikant opvolgen.

WAARSCHUWING: Geen zware lasten zonder hulp optillen.

Installatie

Lees de installatie-instructies in de installatiehandleiding alvorens u de apparatuur gaat installeren.

Dit is een product van Veiligheidsklasse I (geleverd met een beschermende aardingsterminal). **Het chassis moet worden geaard.** Een aardingspunt bevindt zich aan de buitenzijde van het product. Wanneer het waarschijnlijk is dat de aardbeveiliging is beschadigd, moet het product worden uitgeschakeld en beveiligd tegen onbedoeld gebruik; gelieve contact op te nemen met gekwalificeerd onderhoudspersoneel.

Zorg ervoor dat de DC- en AC-ingangskabels zijn beveiligd en voorzien zijn van stroomonderbrekers. **Dit product is niet uitgerust met een interne zekering.** Vervang nooit een veiligheidscomponent door een ander type. Raadpleeg de handleiding om het correcte onderdeel te bepalen.

Tijdens de installatie moet u controleren of de externe connector met draadbrug is verwijderd (of schakel de externe aan / uit-schakelaar uit indien geïnstalleerd) teneinde er zeker van te zijn dat de omvormer niet onverwacht kan worden ingeschakeld.

Zorg ervoor dat de apparatuur wordt gebruikt onder de juiste omgevingsomstandigheden. Het product nooit bedienen in een natte of stoffige omgeving. U moet ervoor zorgen dat er voldoende vrije ruimte voor ventilatie rondom het product aanwezig is en controleren of de ventilatieopeningen niet zijn geblokkeerd.

Zorg ervoor dat de vereiste systeemspanning de capaciteit van het product niet overschrijdt.

Transport en Opslag

Zorg ervoor dat de netspanning en batterijkabels zijn losgekoppeld voordat u het product gaat opslaan of vervoeren.

Er wordt geen aansprakelijkheid worden aanvaard voor transportschade als de apparatuur wordt verscheept in een niet-originele verpakking.

Het product opslaan in een droge omgeving; en de opslagtemperatuur moet tussen -20°C en 60°C zijn.

Raadpleeg de handleiding van de batterijfabrikant voor transport, opslag, laden, opnieuw laden en verwijderen van de batterij.

2. BESCHRIJVING

2.1 Algemeen

Geïntegreerde Bluetooth: volledig configureerbaar met een tablet of smartphone

- Lage batterijspanning alarmuitschakeling en resetniveaus
- Lage batterijspanning-uitschakeling en herstartniveaus
- Dynamische cut-off: belastingafhankelijk cut-off-niveau
- Uitgangsspanning: 210 - 245V
- Frequentie: 50 Hz of 60 Hz
- ECO modus aan/uit en ECO modus gevoelsniveau
- Alarmrelais

Bewaking

- In- en uitgangsspanning,% belasting en alarmen

Voor meer informatie verwijzen wij u naar de [VictronConnect handleiding](#).

VE.Direct communicatiepoort

De VE.Direct poort kan op een computer worden verbonden (VE.Direct naar USB interfacekabel nodig) teneinde dezelfde parameters te configureren en te bewaken.

Bewezen betrouwbaarheid

De volledige bridge plus toroidale transformator topologie heeft zijn betrouwbaarheid gedurende vele jaren bewezen. De omvormers zijn kortsluitvast en beschermd tegen oververhitting, hetzij door overbelasting of hoge omgevingstemperatuur.

Hoog startvermogen

Nodig om belastingen te starten, zoals stroomomzetter voor LED-lampen, halogeenlampen of elektrische gereedschappen.

ECO-modus

In de ECO-modus schakelt de omvormer naar stand-by wanneer de belasting daalt tot onder een vooraf ingestelde waarde (min. ladingniveau inschakelen: 10VA; en min. ladingniveau uitschakelen: 0VA). Eenmaal in stand-by schakelt de omvormer voor een korte periode in (instelbaar, standaard: elke 3,0 seconden). Indien de belasting een vooraf ingesteld niveau overschrijdt, blijft de omvormer ingeschakeld

Afstandsbediening aan/uit

Een aan/uit-schakelaar voor afstandsbediening of relaiscontact kan verbonden worden met een 2-polige connector. Als alternatief kan de H-terminal (links) van de 2-polige connector geschakeld worden aan batterij-plus, of de L-terminal (rechts) van de 2-polige connector kan geschakeld worden aan battery-minus (of het chassis van een voertuig bijvoorbeeld)

LED diagnose

Zie paragraaf 3.3

Raadpleeg de handleiding voor een beschrijving.

Om de belasting over te dragen naar een andere AC-bron: de schakelaar voor automatische overdracht

Voor onze low-power omvormers raden we onze Filax Automatic Transfer Switch aan. De Filax heeft een zeer korte omschakelingstijd (minder dan 20 milliseconden), zodat computers en andere elektronische apparatuur zonder onderbreking kunnen blijven werken. Gebruik als alternatief een MultiPlus met ingebouwde schakelaar voor overdracht.

3. BEDIENING

3.1 Aan/Uit-druknop

Wanneer geschakeld op "on" met de drukknoop, is het product volledig functioneel. De omvormer zal gaan functioneren en de LED "omvormer" zal gaan branden. Door vervolgens op de drukknoop te drukken, binnen een korte tijdsperiode, zal de omvormer schakelen tussen "on", "ECO" en "off". De inverter gaat over naar slaapmodus met minimaal stroomverbruik wanneer het toestel uitgeschakeld wordt door de drukknoop.

Buiten de drukknoop om; de omvormer kan tevens worden in- en uitgeschakeld (normaal of ECO) met Bluetooth op een mobiel apparaat met iOS of Android en de Victron Connect-app. Echter wanneer uitgeschakeld via Bluetooth of de drukknoop; het apparaat kan niet opnieuw worden in- en uitgeschakeld via de bedrade VE.Direct-poort.

Aan/Uit-schakelaar (enkel 5 kVA)

Het 5 kVA-toestel heeft een hoofd aan/uit-schakelaar naast de kabelingangen aan de rechterzijde. Deze schakelaar, wanneer uitgeschakeld, zal de voedingsstroom volledig afsluiten.

3.2 Afstandsbediening

Afstandsbediening is mogelijk met een simpele aan-/uitschakelaar of met een Phoenix Omvormer bedieningspaneel. Een schakelaar voor afstandsbediening (aan/uit) kan worden aangesloten op een tweepolige connector (gemarkeerd met "H"; zie bijlage A). De schakelaar kan worden aangesloten tussen batterij plus en het linkercontact van de tweepolige connector of tussen batterij minus en het rechtercontact van de tweepolige connector (gemarkeerd met "L", zie bijlage A).



Vanwege veiligheidsredenen kan dit product volledig worden uitgeschakeld (dat wil zeggen, de omvormer kan niet worden ingeschakeld via de drukknoop of Bluetooth) door de externe connector te verwijderen en de standaard geïnstalleerde draadbrug (of schakel de externe aan / uit-schakelaar uit indien geïnstalleerd). De gebruiker kan er dan zeker van zijn dat de omvormer niet per ongeluk via Bluetooth kan worden ingeschakeld door een onverwachte andere gebruiker.

3.3 LED definities

Groen LED	Status	Probleemoplossing
●●●●●●●●	Omvormer ingeschakeld	Rode LED Uitgeschakeld Status INGESCHAKELD Rode LED INGESCHAKELD of knippert: De omvormer is nog steeds ingeschakeld, maar wordt uitgeschakeld als de toestand verslechtert. Zie rode LED-tabel voor waarschuwingsredenen
●●-----	ECO-modus	Wanneer de omvormer blijft in- en uitschakelen terwijl er een belasting is aangesloten, kan de belasting te klein zijn in vergelijking met de werkelijke ECO-modusinstellingen. Verhoog de belasting of verander de instellingen van de ECO-modus. (minimum ECO-modusinstelling: 15W)
●-●-----	Uitgeschakeld en wachten	Omvormer is uitgeschakeld vanwege een beveiliging. De omvormer start automatisch opnieuw zodra alle alarmcondities zijn gewist. Zie rode LED-status voor de reden van de uitschakeling.
-----	omvormer uitgeschakeld	Rode LED Uitgeschakeld Controleer de op afstand bedienbare aan/uit-connector Controleer de DC-kabelaansluitingen en zekeringen. Controleer de bedieningsmodus door eenmaal op de drukknoop te drukken. Rode LED INGESCHAKELD of knippert: De omvormer is uitgeschakeld vanwege een beveiliging. Het zal niet meer opnieuw automatisch worden gestart. De rode LED geeft de reden voor het uitschakelen aan. De oorzaak oplossen en start de omvormer opnieuw op door deze uit en weer in te schakelen.
●-●-●-●-	Uitschakelen en firmware update wordt uitgevoerd of mislukt	Rode LED Knippert (-●-●-●-●) Firmware update wordt uitgevoerd firmware update mislukt. Wanneer mislukt, de firmware update opnieuw proberen.

Gele LED	Status	Probleemoplossing
●●●●●●●●	ECO-modus	Rode LED Uitgeschakeld Status INGESCHAKELD Rode LED INGESCHAKELD of knippert: De omvormer is nog steeds ingeschakeld, maar wordt uitgeschakeld als de toestand verslechtert. Zie rode LED-tabel voor waarschuwingsredenen
-----	ECO-modus uitgeschakeld	Rode LED Uitgeschakeld Controleer de bedieningsmodus door eenmaal op de drukknoop te drukken. Controleer de op afstand bedienbare aan/uit-connector. Controleer de DC-kabelaansluitingen en zekeringen. Rode LED INGESCHAKELD of knippert: De omvormer is uitgeschakeld vanwege een beveiliging. Het zal niet meer opnieuw automatisch worden gestart. De rode LED geeft de reden voor het uitschakelen aan. De oorzaak oplossen en start de omvormer opnieuw op door deze uit en weer in te schakelen.

Rode LED		Definitie	Probleemoplossing
●●●●●●●●	Blijft branden	Overbelasting	Belasting reduceren
●●●●---	Langzaam knipperen	Batterij bijna leeg	Laad de batterij op of vervang deze Controleer de DC-kabelaansluitingen Controleer de kabeldoorsnede aangezien deze mogelijk onvoldoende is. Zie paragraaf 4.2 Beveiligingen en automatische herstarten voor handmatig en automatisch herstartgedrag.
●-●-●-●-	Snel knipperen	Volle batterij	Verlaag de DC-ingangsspanning, controleer op defecte acculader
●-●-----	Dubbele puls	Hoge temperatuur.	Reduceer de belasting en/of verplaats de omvormer naar een beter geventileerde ruimte
●---●---	Snelle enkelvoudige puls	Hoge DC-rimpel	Controleer de DC-kabelverbindingen en de kabeldoorsnede.

3.4 Beveiligingen en automatische herstarten

Overbelasting

Sommige belastingen zoals motoren of pompen trekken grote inschakelstromen in een opstartsituatie. In dergelijke omstandigheden is het mogelijk dat de startstroom hoger is dan het overstroomniveau van de omvormer. In dit geval zal de uitgangsspanning snel afnemen om de uitgangsstroom van de omvormer te begrenzen. Indien te hoge stroomniveau overschreden wordt, wordt de omvormer uitgeschakeld: wacht 30 seconden herstart vervolgens.

Na drie herstarts gevolgd door een nieuwe overbelasting binnen 30 seconden na het herstarten, zal de omvormer worden uitgeschakeld en uitgeschakeld blijven. De LED's signaleren uitschakeling vanwege overbelasting. Om de omvormer opnieuw te starten, deze uitschakelen en vervolgens weer inschakelen.

Lage batterijspanning (instelbaar)

De omvormer wordt uitgeschakeld als de DC-ingangsspanning daalt tot onder het uitschakelingsniveau van de batterij. Na een minimale vertraging van 30 seconden zal de omvormer herstarten wanneer de spanningen boven het herstartniveau van de bijna lege batterij komen.

Na drie herstarts gevolgd door een bijna lege batterij binnen 30 seconden na het herstarten, zal de omvormer uitschakelen en opnieuw proberen te stoppen. De LED's duiden aan dat de batterij bijna leeg is. Als u de omvormer wilt herstarten, schakelt u deze uit en vervolgens weer in, of laad de batterij op: zodra de batterij wordt geladen en het niveau stijgt en vervolgens gedurende 30 seconden boven het ladingsdetectieniveau blijft, schakelt deze in.

Zie de tabel Technische gegevens voor standaardinstellingen voor het afsluiten en herstarten van de batterij. Ze kunnen worden gewijzigd met de VictronConnect-app.

Hoge batterijspanning

Verlaag de DC-ingangsspanning en/of controleer op een defecte batterij- of zonne-lader in het systeem. Na het uitschakelen vanwege een hoge batterijspanning, wacht de omvormer eerst 30 seconden en probeert te herstarten zodra de batterijspanning is gedaald tot een acceptabel niveau. De omvormer blijft niet uitgeschakeld na meerdere pogingen.

Hoge temperatuur

Een hoge omgevingstemperatuur of een blijvende hoge belasting kan ertoe leiden dat de temperatuur te hoog wordt. De omvormer zal na 30 seconden herstarten. De omvormer blijft niet uitgeschakeld na meerdere pogingen. Reduceer de belasting en/of verplaats de omvormer naar een beter geventileerde ruimte.

Hoge DC-rimpel

Hoge DC-rimpel wordt meestal veroorzaakt door losse DC-kabelverbindingen en / of te dunne DC-bedrading. Nadat de omvormer is uitgeschakeld wegens een hoge gelijkstroomrimpelspanning, wacht deze 30 seconden en herstart vervolgens.

Na drie herstarts gevolgd door een uitschakeling vanwege een hoge DC-rimpel binnen 30 seconden na het opnieuw opstarten, zal de omvormer worden uitgeschakeld en zal het opnieuw proberen te stoppen. Om de omvormer te herstarten, schakelt u hem uit en vervolgens weer in.

Continue hoge DC-rimpel vermindert de levensduur van de omvormer.

4. INSTALLATIE

4.1



Dit product moet door een gekwalificeerde elektricien worden geïnstalleerd.



Tijdens de installatie controleert u of de externe connector met draadbrug is verwijderd (of schakel de externe aan/uit-schakelaar uit indien geïnstalleerd) teneinde er zeker van te zijn dat de omvormer niet onverwacht kan worden ingeschakeld.

Locatie

Het product moet worden geïnstalleerd in een droge en goed geventileerde ruimte, en zo dicht mogelijk bij de batterijen. Er moet een vrije ruimte van minimaal 10 cm rond het apparaat blijven om te koelen.



Een hoge omgevingstemperatuur resulteert in het volgende:
Kortere levensduur.
Gereduceerde laadstroom.
Verminderde piekvermogen, of uitschakelen van de omvormer.
Het apparaat nooit direct boven de batterijen monteren.

Het product is geschikt voor wandmontage. Voor de montage zie bijlage A.

Het apparaat kan zowel horizontaal als verticaal worden gemonteerd; verticale montage heeft echter de voorkeur. De verticale positie biedt optimale koeling.



De binnenkant van het product moet na installatie toegankelijk blijven.

Probeer de afstand tussen het product en de batterij tot een minimum te beperken teneinde kabelspanningsverliezen tot een minimum te houden.

4.2 Aansluiting van batterijkabels

Teneinde de volledige capaciteit van het product volledig te benutten, moeten batterijen met voldoende capaciteit en batterijkabels met geschikte doorsnede worden gebruikt. Zie tabel.

	12/1600	24/1600	48/1600	12/2000	24/2000	48/2000
Aanbevolen zekering	250A	125A	60A	300A	150A	80A
Aanbevolen kabeldikte (mm ²)						
0-5 m	70	35	16	70	50	25
5 - 10 m	Niet aanbevolen	70	32	Niet aanbevolen	95	50

	12/3000	24/3000	48/3000	24/5000	48/5000
Aanbevolen zekering	400A	250A	125	400A	200A
Aanbevolen kabeldikte (mm ²)					
0-5 m	2x 95*	1x 50	1x 35	2x 95*	1x 70
5 - 10 m	Niet aanbevolen	2x 50	2x 35	2x 95	2x 70

	12/1600	24/1600	48/1600	12/2000	24/2000	48/2000
Aanbevolen batterijcapaciteit (Ah)	300 - 800	150 - 400	75 - 200	350 - 1000	200 - 500	100 - 250

	12/3000	24/3000	48/3000	24/5000	48/5000
Aanbevolen batterijcapaciteit (Ah)	400 - 1200	200 - 700	100 - 400	300 - 1500	150 - 700

Opmerking: Interne weerstand is de belangrijkste factor bij het werken met batterijen met een lage capaciteit. Gelieve uw leverancier of de relevante paragrafen van ons boek "elektriciteit aan boord", raadplegen, welke is te downloaden van onze website.

Procedure

Ga als volgt te werk om de batterijkabels aan te sluiten:



Gebruik een geïsoleerde pijpsleutel om kortsluiting van de batterij te voorkomen.
Vermijd het inkorten van de batterijkabels.

De batterijkabels aansluiten: de + (rode) en de - (zwarte), op de batterij zie bijlage A.
Verbinding met omgekeerde polariteit (+ naar - en - naar +) veroorzaakt schade aan het product.
De moeren stevig vastzetten om de contactweerstand zoveel mogelijk te verminderen.

4.3 Aansluiting van de AC-bekabeling

Dit is een product van Veiligheidsklasse I (geleverd met een beschermende aardingsterminal).



De neutrale draad van de AC-uitgang van deze omvormer is verbonden met het chassis (zie bijlage B voor 1600VA / 2000VA en bijlage C voor 3000VA/5000VA).

Dit is om te zorgen voor een goede werking van een GFCI (of RCCB) die moet worden geïnstalleerd in de AC-uitgang van de omvormer. Het chassis van het product moet worden aangesloten op de grond, op het frame (van een voertuig) of de grondplaat of romp (van een boot).

Procedure

De eindpunten zijn duidelijk aangegeven. Van links naar rechts: "L" (fase), "N" (neutraal) en "PE" (aarding).

4.4 Optionele Verbindingen

Een aantal optionele verbindingen zijn mogelijk:

4.4.1 Op afstand bedienbare aan-/uitschakelaar & afstandsbedieningspaneel

Het product kan op drie manieren op afstand worden bestuurd.

- Met een smartphone (iOS of Android) en de Victron Connect-app.
- Met een externe schakelaar (aangesloten op de tweepolige externe connector). Functioneert alleen als de schakelaar op de omvormer is ingesteld op "on".
- Met een Phoenix Omvormer Control VE.Direct-paneel (aangesloten op de tweepolige afstandsconnector, zie bijlage A). Functioneert alleen als de schakelaar op de omvormer is ingesteld op "on".

4.4.2. Programmable relay

De omvormers zijn uitgerust met een multifunctioneel relais dat standaard is geprogrammeerd in de normale bedrijfsmodus. (VictronConnect software is nodig om de relay functionaliteit te wijzigen). De verschillende relaismodi kunnen zoals hieronder beschreven worden samengevat:

- Normale werking ("omvormer" in VictronConnect app) – standaard

Relais gesloten tijdens normale werking, en open als de omvormer zichzelf in alarm heeft uitgeschakeld, of is uitgeschakeld door een gebruiker en tevens geopend (natuurlijk) als er geen stroom beschikbaar is op de terminals, d.w.z. batterij ontkoppeld. In de ECO modus, het relais zal zowel worden gesloten wanneer een lading wordt gezocht en als deze volledig is ingeschakeld, d.w.z. belasting gedetecteerd.

Gebruik deze optie als u wilt dat het relais aanduidt dat er stroom beschikbaar is op de uitgang van de omvormer.

- Waarschuwingen en alarmen ("alarm" in VictronConnect app)

Net als bij bovenstaande, maar dan wordt het relais ook geopend als er een waarschuwing is. Bijvoorbeeld, omdat de batterij spanning gedaald is tot de grenswaarde, of wanneer het wordt geladen tot het punt waarop het bijna wordt afgesloten als gevolg van overbelasting. In de ECO modus, wordt het relais zowel tijdens het zoeken (zonder lading) als volledig ingeschakeld (laden gedetecteerd) gesloten, behalve wanneer er een waarschuwing is.

Gebruik deze optie als u wilt dat het relais aanduidt dat het tijd is om actie te ondernemen (laden van de batterij, lading verminderen, enzovoort), teneinde stroomuitval te voorkomen.

- Batterij bijna leeg ("Batterij bijna leeg" in VictronConnect app)

Relais ingeschakeld tijdens normaal bedrijf. Het relais schakelt uit zodra er een waarschuwing voor bijna lege batterij is. Het blijft uitgeschakeld wanneer de frequentieregelaar wordt uitgeschakeld als gevolg van lage spanning, en zal slechts weer inschakelen als de omvormer in werking is en de batterijspanning boven het vooringestelde-alarm reset-niveau is. Gebruik deze optie voor load shedding of om een generator automatisch te starten. Houd er rekening mee dat dit uitsluitend kan worden beschouwd als een start /stop van een paar-mans generator. Voor meer en betere opties, zie hier.

- Externe ventilator ("ventilator" in VictronConnect app)

Relais is uitgeschakeld, tenzij de ventilator in de omvormer in bedrijf is. Gebruik deze optie om een externe ventilator in te schakelen, voor situaties waarin de omvormer zich in een kleine afgesloten ruimte bevindt.

- Uitgeschakeld relais ("uitgeschakeld" in VictronConnect app)

Met deze optie wordt het relais in de OPEN-positie gezet. Gebruik deze optie als u niet van plan bent om de relais-functie te gebruiken.

5. CONFIGURATIE



Instellingen kunnen slechts door een gekwalificeerde technicus worden gewijzigd.
Lees de instructies zorgvuldig door alvorens u wijzigingen aanbrengt.
Batterijen moeten tijdens het laden in een droge en goed geventileerde ruimte worden geplaatst.

5.1 Standaardinstellingen: klaar voor gebruik

Bij levering is de Phoenix omvormer ingesteld op standaard fabriekswaarden. Over het algemeen zijn deze instellingen geschikt voor stand-alone bediening.

Standaard fabrieksinstellingen

Omvormer frequentie	50 Hz
Omvormerspanning	230 VAC
Zoekmodus	uitgeschakeld
Programmeerbaar relais	alarmfunctie
Dynamische cut-off	uitgeschakeld

5.2 Verklaring van instellingen

Omvormer frequentie

Uitgangsfrequentie
Aanpasbaarheid: 50Hz; 60Hz

Omvormerspanning

Aanpasbaarheid: 210 – 245V

ECO Modus

Indien de ECO modus is 'on', zal het stroomverbruik in nullast worden verlaagd met circa 80...90%. In deze modus de Phoenix Omvormer Smart, Wanneer werkende in de omvormermodus, is uitgeschakeld bij onbelaste of zeer lage belasting en schakelt om de twee en een halve seconde voor een korte periode (aanpasbaar). Indien de uitgangsstroom een ingesteld niveau overschrijdt, blijft de omvormer werken. Wanneer dit niet het geval is, wordt de omvormer opnieuw uitgeschakeld.
De ECO-modus kan worden ingesteld met de drukknop aan de voorkant van de omvormer.
De ECO-modus "shut down" en "remain on" laadniveaus kunnen worden ingesteld met Victron Connect.
De fabrieksinstellingen zijn:
Uitschakelen: 50 Watt (lineaire belasting).
Inschakelen: 100 Watt (lineaire belasting).

Programmeerbaar relais

Standaard is het programmeerbare relais ingesteld als een alarmrelais, d.w.z. het relais zal spanningsloos worden in geval van een alarm of een vooralarm (omvormer bijna te heet, rimpel op de ingang bijna te hoog, batterijspanning bijna te laag).

Dynamische Cut-off

Gebruik VictronConnect voor activeren en Dynamische Cut-off configureren (zie <https://www.victronenergy.com/live/ve.direct:phoenix-inverters-dynamic-cutoff> voor details).
Gebruik de Dynamische Cut-off niet in een installatie die ook andere belastingen op dezelfde batterij heeft aangesloten: de batterijspanning zal dalen vanwege de extra belasting, maar de Dynamische Cut-off algoritme in de omvormer neemt die belasting niet waar: daarom wordt de omvormer te vroeg uitgeschakeld met een onderspanningsalarm.

5.3 Configuratie per computer

Alle instellingen kunnen worden gewijzigd door middel van een smartphone, tablet of computer.

Voor het wijzigen van instellingen met een smartphone of tablet, is het volgende vereist:
- VictronConnect software: kan gratis worden gedownload op www.victronenergy.com.

Voor het wijzigen van instellingen met een computer, is het volgende vereist:
- VictronConnect software: kan gratis worden gedownload op www.victronenergy.com.
- Een VE.Direct to USB interface.

6. ONDERHOUD

De Phoenix Omvormer Smart vereist geen specifiek onderhoud. Het is voldoende om alle verbindingen eenmaal per jaar te controleren. Vermijd vocht en olie/roet/dampen en houd het apparaat schoon.

7. Technische gegevens

Phoenix-omvormer Smart	12/1600 24/1600 48/1600	12/2000 24/2000 48/2000	12/3000 24/3000 48/3000	24/5000 48/5000
Parallel en driefasig werking	Geen			
OMVORMER				
Ingangsspanningsbereik: (1)	9,3 – 17V 18,6 – 34V 37,2 – 68V			
Uitgang	Uitgangsspanning: 230VAC ±2% 50 Hz of 60 Hz ± 0,1% (1)			
Cont. uitgangsvermogen bij 25°C 2)	1600 VA	2000 VA	3000 VA	5000 VA
Cont. uitgangsvermogen bij 25°C	1300 W	1600 W	2400 W	4000 W
Cont. uitgangsvermogen bij 40°C	1200 W	1450 W	2200 W	3700 W
Cont. uitgangsvermogen bij 65°C	800 W	1000 W	1700 W	2800 W
Piekvermogen	3000 W	4000 W	6000 W	10000 W
Dynamisch (belastingafhankelijk) DC-laag uit (volledig configureerbaar)	Dynamic cut-off, zie https://www.victronenergy.com/live/ve-direct-phoenix-inverters-dynamic-cutoff			
Max.rendement 12/ 24 /48 V	92 / 94 / 94%	92 / 94 / 94%	93 / 94 / 95%	95 / 96%
Nullast in 12 / 24 / 48 V	8 / 9 / 11 W	8 / 9 / 11 W	12 / 13 / 15 W	18 / 20 W
Nullast in ECO modus	0.6 / 1.3 / 2.1 W	0.6 / 1.3 / 2.1 W	1.5 / 1.9 / 2.8 W	2.2 / 3.2 W
ALGEMEEN				
Programmeerbaar relais (2)	Ja			
Stop & start vermogen ECO-modus	aanpasbaar			
Beveiliging (3)	a - g			
Bluetooth draadloze communicatie	Voor monitoring op afstand en systeemintegratie			
VE.Direct communicatiepoort	Voor monitoring op afstand en systeemintegratie			
Op afstand bediende aan/uit-functie	Ja			
Gemeenschappelijke kenmerken	Maximale gebruikstemperatuur -40 tot +65°C (Ventilator ondersteunde koeling) Vochtigheid (niet-condenserend): max 95%			
BEHUIZING				
Gemeenschappelijke kenmerken	Materiaal & kleur: staal (blauw RAL 5012; zwart RAL 9017) Beschermingsklasse: IP 21			
Accu-aansluiting	M8 bouten	M8 bouten	12 V/24 V: 2+2 M8 bouten 48 V: M8 bouten	24 V: 2+2 M8 bouten 48 V: M8 bouten
230V AC-connectie	Schroefklemmen			
Gewicht	12kg	13kg	19kg	29kg / 28kg
Afmetingen (hxbxd)	485 x 219 x 125mm	485 x 219 x 125mm	533 x 285 x 150mm (12 V) 485 x 285 x 150mm (24 V/48 V)	595 x 295 x 160mm (24 V) 555 x 295 x 160mm (48 V)
NORMEN				
Veiligheid	EN 60335-1			
Emissie, immuniteit	EN 55014-1 / EN 55014-2/ IEC 61000-6-1 / IEC 61000-6-2 / IEC 61000-6-3			
Automotive richtlijn	ECE R10-5			
1) Niet-lineaire belasting, topfactor 3:1 2) Programmeerbaar relais dat o.a. worden ingesteld voor algemeen alarm, DC onder spanning of generatorset start/stop functie. AC-rating: 230V / 3A DC-rating: 3A tot 30VDC, 0,2A tot 70VDC	3) Beveiligingsmethoden: A) kortsluiting b) overbelasting c) batterijspanning te hoog d) batterijspanning te laag e) temperatuur te hoog f) 230 V AC op omvormer uitgang g) ingangsspanning met een te hoge rimpel			

1. CONSIGNES DE SÉCURITÉ

Général

Lisez toute la documentation fournie avec l'appareil afin de vous familiariser avec les règles de sécurité avant toute utilisation. Cet appareil a été conçu et testé selon les standards internationaux. Cet appareil ne doit être utilisé que pour l'application à laquelle il est destiné.

ATTENTION : RISQUE D'ÉLECTROCUTION.

Le produit est utilisé avec une source d'énergie permanente (batterie). Même s'il est hors tension, les bornes d'entrée et/ou de sortie peuvent encore présenter une tension électrique dangereuse. Toujours débrancher la batterie avant d'effectuer toute activité maintenance.

L'appareil ne contient aucun élément interne pouvant être réparé par l'utilisateur. Ne jamais retirer le panneau frontal et ne jamais mettre l'appareil en service si tous les panneaux ne sont pas montés. Tout entretien doit être effectué par du personnel qualifié.

Ne pas utiliser l'appareil dans un endroit présentant un risque d'explosion de gaz ou de poussière. Consulter les indications du fabricant des batteries pour vous assurer de la compatibilité des batteries avec l'appareil. Respectez les instructions de sécurité du fabricant de la batterie.

ATTENTION : Ne jamais soulever de charges lourdes sans aide.

Installation

Lire attentivement les consignes d'installation avant de mettre l'appareil en service.

Cet appareil est un produit de classe de sécurité I (livré avec une borne de mise à la terre de protection). **Le châssis doit être mis à la masse.** Un point de mise à la terre est situé à l'extérieur du boîtier de l'appareil. Si vous suspectez la protection par prise de terre d'être endommagée, l'appareil doit être mis hors tension et protégé contre toute mise en service involontaire ; faire appel à du personnel qualifié.

Assurez-vous que tous les câbles de raccordement CC et CA sont équipés de fusibles et disjoncteurs. **Il n'y a pas de fusible interne à l'intérieur de ce produit.** Ne jamais remplacer les protections par d'autres d'un type différent. Consultez les manuels pour utiliser les protections appropriées.

Pendant l'installation, assurez-vous de retirer le connecteur à distance avec le fil de point (ou bien éteignez l'interrupteur d'allumage/arrêt à distance s'il est installé) afin de vous assurer que le convertisseur ne puisse pas s'allumer de manière inattendue.

Avant de mettre l'appareil en service, contrôlez que la source d'alimentation corresponde à la configuration de l'appareil tel que décrite dans le manuel.

Assurez-vous que l'appareil est utilisé dans des conditions d'exploitation appropriées. Ne jamais l'utiliser dans un environnement humide ou poussiéreux. Conservez toujours suffisamment d'espace libre autour de l'appareil pour la ventilation et assurez-vous que les orifices de ventilation ne sont pas obstrués.

Assurez-vous que la puissance souhaitée ne soit pas supérieure à la capacité de l'appareil.

Transport et stockage

Assurez-vous que les câbles de secteur et de batterie sont déconnectés pour le transport et le stockage.

Nous n'acceptons aucune responsabilité pour des dommages liés au transport lorsque l'appareil n'est pas transporté dans son emballage d'origine.

Stocker l'appareil dans un endroit sec ; la température de stockage doit être comprise entre -20°C et +60°C

Se référer au manuel du fabricant de la batterie pour tout ce qui concerne le transport, le stockage, la charge, la décharge et l'élimination de la batterie.

2. DESCRIPTION

2.1 Généralités

Bluetooth intégré : entièrement configurable à l'aide d'une tablette ou d'un smartphone

- . Niveaux de réinitialisation et de déclenchement de l'alarme en cas de tension de batterie faible.
- . Niveaux de redémarrage et de coupure en cas de tension de batterie faible.
- . Coupure dynamique : niveau de coupure en fonction de la charge
- . Tension de sortie : 210 - 245 V
- . Fréquence : 50 Hz ou 60 Hz
- . Niveau de détection du mode ECO et Allumage/arrêt du mode ECO
- . Relais d'alarme

Surveillance :

- . Tension d'entrée et de sortie, % de charge et alarmes

Pour plus d'informations, reportez-vous au [manuel VictronConnect](#).

Port de communication VE.Direct

Le port VE.Direct peut être connecté à un ordinateur (câble d'interface VE.Direct-USB nécessaire) pour configurer et surveiller les mêmes paramètres.

Fiabilité reconnue

La topologie de pont complet avec un transformateur toroïdal a démontré sa fiabilité depuis des années.

Les convertisseurs sont protégés contre les courts-circuits et la surchauffe, que ce soit en cas de surcharge ou de température ambiante élevée.

Forte puissance de démarrage

Nécessaire pour démarrer des charges telles que des convertisseurs de puissance pour des ampoules LED, halogènes ou des outils électriques.

Mode ECO

En mode ECO, le convertisseur commutera sur pause si la charge chute en dessous d'une valeur prédéterminée (charge minimale pour qu'il s'allume : 10 VA et charge minimale pour qu'il s'éteigne : 0 VA). Une fois sur pause, le convertisseur s'allumera une courte période de temps (réglable ; par défaut : toutes les 3 secondes). Si la charge dépasse un niveau préconfiguré, le convertisseur restera allumé.

Allumage/Arrêt à distance.

Un interrupteur d'allumage/arrêt à distance ou un contact de relais peut être raccordé à un connecteur à deux pôles.

Autrement, la borne H (à gauche) du connecteur à deux pôles peut être commutée sur la borne positive de la batterie ; ou bien la borne L (à droite) du connecteur à deux pôles peut être commutée sur la borne négative de la batterie (ou du châssis d'un véhicule par exemple.)

LED de diagnostic

Veillez consulter la section 3.3.

Pour transférer la charge vers une autre source CA : le commutateur de transfert automatique

Pour nos convertisseurs de faible puissance, nous recommandons l'utilisation de notre commutateur de transfert automatique Filax. Le Filax bénéficie d'un temps de transfert très rapide (inférieur à 20 millisecondes) afin que les ordinateurs et les autres équipements électroniques puissent continuer de fonctionner sans interruption. Sinon, veuillez utiliser un MultiPlus équipé d'un commutateur de transfert intégré.

3. FONCTIONNEMENT

3.1 Bouton-poussoir marche/arrêt

Lorsque le commutateur est positionné sur « on » à l'aide du bouton-poussoir, l'appareil est entièrement fonctionnel. Le convertisseur se met en marche et le voyant LED « inverser » s'allume. En appuyant ensuite sur le bouton-poussoir, au bout d'un court instant, le convertisseur bascule entre « On », « ECO » et « Off ». Lorsque l'appareil est désactivé par le bouton-poussoir, l'onduleur passe en mode veille avec une consommation électrique minimale.

En dehors du bouton-poussoir, le convertisseur peut également être allumé (normal ou ECO) et éteint via Bluetooth depuis un dispositif mobile fonctionnant sous iOS ou Android et avec l'application Victron Connect. Cependant, lorsqu'il est éteint via Bluetooth ou le bouton-poussoir, l'unité **ne peut pas être** à nouveau éteinte ou allumée au moyen du câble du port VE.Direct.

Interrupteur marche/arrêt (5 kVA uniquement)

L'unité de 5 kVA est dotée d'un interrupteur marche/arrêt principal à côté des entrées de câble, sur le côté droit. Lorsque cet interrupteur est en position arrêt, l'alimentation électrique est complètement coupée.

3.2 Commande à distance

Il est possible de piloter l'appareil à distance avec un simple interrupteur marche/arrêt ou avec un tableau de commande Phoenix Inverter Control. Un interrupteur d'allumage/arrêt à distance peut être connecté à un connecteur à deux pôles. L'interrupteur peut également être connecté entre le pôle positif de la batterie et le contact de gauche du connecteur à deux pôles (signalé par « H » ; voir Annexe A), ou entre le pôle négatif de la batterie et le contact de droite du connecteur à deux pôles (signalé par « L » ; voir Annexe A).



Pour des raisons de sécurité, ce produit peut être complètement éteint (c.à.d. le convertisseur ne peut pas être allumé à l'aide du bouton-poussoir, ni par Bluetooth) en retirant le connecteur à distance et son fil de pont installé par défaut (ou en éteignant l'interrupteur d'allumage/arrêt à distance s'il est installé). L'utilisateur peut être sûr que le convertisseur ne pourra pas être allumé accidentellement par Bluetooth par un autre utilisateur.

3.3 Définitions des voyants LED

Voyant LED Vert	État	Résolutions des problèmes
●●●●●●●●	Convertisseur allumé	Voyant LED rouge éteint état OK Voyant LED rouge allumé ou clignotant : Le convertisseur est encore allumé, mais il s'arrêtera si les conditions empirent. Voir le tableau des LED rouges pour les causes d'avertissement
●●-----	Mode ECO	Si le convertisseur continue de s'allumer et de s'éteindre, alors qu'une charge est connectée, la charge peut être trop petite par rapport aux paramètres réels du mode ECO. Augmentez la charge ou modifiez les paramètres du Mode ECO. (Paramètre minimal du mode ECO : 15 W)
●-●-----	Éteint et en attente	Le convertisseur s'est éteint suite à l'activation d'une protection. Le convertisseur redémarrera automatiquement dès que toutes les conditions d'alarme auront été supprimées. Voir le tableau de l'état des LED rouges pour les causes d'avertissement.
-----	Convertisseur éteint	LED rouge éteinte Vérifiez l'interrupteur on/off à distance. Vérifiez les fusibles et les connexions du câble CC. Vérifiez le mode opérationnel en appuyant une fois sur le bouton-poussoir. LED rouge allumée ou clignotante Le convertisseur s'est éteint suite à l'activation d'une protection. Il ne redémarrera plus automatiquement. La LED rouge indique la raison de l'arrêt. Supprimez la cause et redémarrez ensuite le convertisseur en l'éteignant puis en le rallumant.
●-●-●-●-	Éteint ou mise à jour micrologicielle en cours ou ratée	Clignotement LED rouge (-●-●-●-●) Mise à jour micrologicielle en cours ou ratée. En cas d'échec, essayez à nouveau la mise à jour micrologicielle.

LED jaune	État	Résolutions des problèmes
●●●●●●●●	Mode ECO	Voyant LED rouge éteint état OK Voyant LED rouge allumé ou clignotant : Le convertisseur est encore allumé, mais il s'arrêtera si les conditions empirent. Voir le tableau des voyants LED rouges indiquant les causes d'avertissement
-----	Mode ECO éteint	Voyant LED rouge éteint Vérifiez le mode opérationnel en appuyant une fois sur le bouton-poussoir. Vérifiez l'interrupteur on/off à distance. Vérifiez les fusibles et les connexions du câble CC. LED rouge allumée ou clignotante Le convertisseur s'est éteint suite à l'activation d'une protection. Il ne redémarrera plus automatiquement. La LED rouge indique la raison de l'arrêt. Supprimez la cause et redémarrez ensuite le convertisseur en l'éteignant puis en le rallumant.

Voyant LED rouge		Définition	Résolutions des problèmes
	Allumé Fixe	Surcharge	Réduisez la charge
	Clignotement lent	Niveau de batterie bas	Rechargez ou remplacez la batterie Vérifiez les connexions du câble CC Vérifiez la section efficace de câble car elle peut être insuffisante. Voir la section 4.2 Protections et redémarrages automatiques pour un comportement de redémarrage automatique et manuel.
	Clignotement rapide	Niveau de batterie élevé	Réduisez la tension d'entrée CC. Contrôlez le chargeur défaillant.
	Double clignotement	Temp. élevée	Réduisez la charge et/ou déplacez le convertisseur vers une zone mieux aérée
	Clignotement unique rapide	Ondulation CC élevée	Vérifiez les connexions du câble CC et la section de câble.

3.4 Protection et redémarrages automatiques

Surcharge

Certaines charges, telles que des moteurs ou des pompes, font appel à de grandes quantités de courants lors des démarrages. Dans de telles circonstances, il est possible que le courant de démarrage dépasse le niveau de déclenchement de surintensité du convertisseur. Dans ce cas, la tension de sortie baissera rapidement pour limiter le courant de sortie du convertisseur. Si le niveau de déclenchement de surintensité est dépassé continuellement, le convertisseur s'éteindra, attendra 30 secondes et il redémarrera.

Après trois redémarrages suivis d'une autre surcharge dans les 30 secondes suivant le redémarrage, le convertisseur s'arrêtera et il restera éteint. Les voyants LED indiqueront un arrêt dû à une surcharge. Pour redémarrer le convertisseur, éteignez-le, et ensuite allumez-le.

Tension de batterie faible (réglable)

Le convertisseur s'éteindra, puis la tension d'entrée CC descendra en dessous du niveau d'arrêt en cas de batterie basse. Après un délai minimal de 30 secondes, le convertisseur redémarrera si la tension dépasse le niveau de redémarrage en cas de batterie basse.

Après trois redémarrages suivis d'un arrêt dû à un niveau de batterie bas dans les 30 secondes suivant le redémarrage, le convertisseur s'arrêtera et il restera éteint. Les LED signaleront un arrêt dû à un niveau de batterie bas. Pour redémarrer le convertisseur, éteignez-le puis rallumez-le. Sinon, rechargez la batterie : dès que le niveau de la batterie montera et qu'il restera au-dessus du niveau de détection de charge pendant 30 secondes, le convertisseur s'allumera.

Consultez le tableau des spécifications techniques pour les seuils par défaut d'arrêt et de redémarrage en cas de niveau de batterie bas. Ils peuvent être modifiés à l'aide de l'App. VictronConnect.

Tension de batterie élevée

Réduisez la tension d'entrée CC et/ou recherchez la batterie ou le chargeur solaire défaillant dans le système. Après un arrêt dû à une tension élevée, le convertisseur attendra d'abord 30 secondes, et il essayera à nouveau de démarrer dès que la tension de batterie descendra à un niveau acceptable. Le convertisseur ne restera pas éteint après plusieurs tentatives.

Température élevée

Une température ambiante élevée ou une charge élevée durable peut entraîner un arrêt dû à une surchauffe. Le convertisseur redémarrera au bout de 30 secondes. Le convertisseur ne restera pas éteint après plusieurs tentatives. Réduisez la charge et/ou déplacez le convertisseur vers une zone mieux aérée.

Ondulation CC élevée

Une ondulation CC élevée est généralement causée par des pertes sur les connexions du câble CC et/ou des fils CC trop fins. Si le convertisseur s'est éteint à cause d'une tension d'ondulation CC élevée, il attendra 30 secondes, et il redémarrera.

Après trois redémarrages suivis d'un arrêt dû à une ondulation CC élevée dans les 30 secondes suivant le redémarrage, le convertisseur s'arrêtera et il arrêtera d'essayer. Pour redémarrer le convertisseur, éteignez-le, et ensuite allumez-le.

Une ondulation CC élevée constante réduit la durée de vie du convertisseur.

4. INSTALLATION



Ce produit doit être installé par un technicien qualifié.



Pendant l'installation, assurez-vous de retirer le connecteur à distance avec le fil de pont (ou bien éteignez l'interrupteur d'allumage/arrêt à distance s'il est installé) afin de vous assurer que le convertisseur ne puisse pas s'allumer de manière inattendue.

4.1 Emplacement

Le produit doit être installé dans un endroit sec et bien ventilé, aussi près que possible des batteries. Conservez un espace d'au moins 10 cm autour de l'appareil pour son refroidissement.



Une température ambiante trop élevée aura les conséquences suivantes :
Réduction de la longévité.
Courant de charge réduit.
Puissance de crête réduite ou arrêt total du convertisseur.
Ne jamais placer l'appareil directement au-dessus des batteries.

Le produit peut être fixé au mur. Pour l'installation, voir l'annexe A.

L'appareil peut être monté horizontalement ou verticalement, mais le montage vertical est préférable. Le refroidissement est meilleur dans cette position.



L'intérieur de l'appareil doit rester accessible après l'installation.

Conservez une distance minimale entre l'appareil et les batteries afin de réduire les pertes de tension dans les câbles.



Pour des raisons de sécurité cet appareil doit être installé dans un environnement résistant à la chaleur s'il va être utilisé avec un équipement dont une quantité importante d'énergie va être convertie. Évitez la présence de produits tels que des produits chimiques, des composants synthétiques, des rideaux ou d'autres textiles, à proximité de l'appareil.

4.2 Raccordement des câbles de batterie

Pour bénéficier de la puissance maximale de l'appareil, il est nécessaire d'utiliser des batteries de capacité suffisante et des câbles de section suffisante. Voir tableau.

	12/1600	24/1600	48/1600	12/2000	24/2000	48/2000
Fusible recommandé	250A	125A	60A	300A	150A	80A
Section de câbles recommandée (mm ²)						
0 - 5 m	70	35	16	70	50	25
5 - 10 m	non recommandé	70	25	non recommandé	95	50

	12/3000	24/3000	48/3000	24/5000	48/5000
Fusible recommandé	400A	250A	125	400A	200A
Section de câbles recommandée (mm ²)					
0 - 5 m	2x 95*	1x 50	1x 35	2x 95*	1x 70
5 - 10 m	non recommandé	2x 50	2x 35	2x 95	2x 70

	12/1600	24/1600	48/1600	12/2000	24/2000	48/2000
Capacité de batterie recommandée (Ah)	300 - 800	150 - 400	75 - 200	350 - 1000	200 - 500	100 - 250

	12/3000	24/3000	48/3000	24/5000	48/5000
Capacité de batterie recommandée (Ah)	400 - 1200	200 - 700	100 - 400	300 - 1500	150 - 700

Remarque : la résistance interne est un facteur important si vous utilisez des batteries de faible capacité. Veuillez consulter votre fournisseur ou les chapitres appropriés de notre livre « Électricité à bord », en téléchargement sur notre site web.

Procédure

Procédez comme suit pour raccorder les câbles de batterie :



Utilisez une clé à pipe isolante afin d'éviter de court-circuiter la batterie.
Évitez de court-circuiter les câbles de batterie.

Connectez les câbles de batterie : le + (rouge) et le – (noir) à la batterie, voir l'annexe A.
Inverser la polarité (le + au -, et le – au +) pourrait endommager l'appareil.
Serrez fermement les écrous afin de réduire la résistance de contact autant que possible.

4.3 Raccordement du câblage CA

Cet appareil est un produit de classe de sécurité I (livré avec une borne de mise à la terre de protection).



Le câble neutre de la sortie CA de ce convertisseur est connecté au châssis (voir l'annexe B pour 1600VA/2000VA et l'annexe C pour 3000VA/5000VA)

Cela permet de garantir le bon fonctionnement d'un GFCI (ou RCCB) devant être installé sur la sortie CA du convertisseur.

Le boîtier de l'appareil doit être mis à la terre, au châssis (d'un véhicule), ou à la plaque de terre ou à la coque (d'un bateau).

Procédure

Les points terminaux sont clairement indiqués. De gauche à droite : « L » (phase), « N » (neutre) et « PE » (terre).

4.4 Raccordements en option

Un certain nombre de connexions optionnelles sont possibles :

4.4.1 Tableau de bord à distance et interrupteur on/off à distance

L'appareil peut être contrôlé à distance de trois façons.

- Avec un smartphone (iOS ou Android) et l'application Victron Connect.
- Avec un interrupteur externe (connecté à un connecteur à deux pôles à distance). Il ne fonctionne que si l'interrupteur du convertisseur est en position « on ».
- Avec le tableau de commande VE.Direct d'un Convertisseur Phoenix (raccordé au connecteur à deux pôles, voir l'annexe A). Il ne fonctionne que si l'interrupteur du convertisseur est en position « on »

4.4.2. Relais programmable

Les convertisseurs sont équipés d'un relais multifonction, qui est programmé par défaut comme relais d'alarme en mode de fonctionnement normal. (Logiciel VictronConnect nécessaire pour modifier la fonctionnalité du relais). Les différents modes du relais peuvent être résumés de la manière suivante :

- **Fonctionnement normal (« inverser » dans l'application VictronConnect app) – par défaut**
Relais fermé durant le fonctionnement normal, et ouvert si le convertisseur a soit déclenché lui-même l'alarme, soit été éteint par un utilisateur, et également ouvert (évidemment) lorsqu'aucune source d'énergie n'est disponible sur les bornes, c.à.d. que la batterie est déconnectée. En mode ECO, le relais sera fermé aussi bien lorsqu'une charge sera recherchée, que lorsqu'il sera entièrement allumé, c'est à dire, une charge aura été détectée.
Utilisez cette option lorsque vous souhaitez que le relais signale que de la puissance est disponible sur la sortie du convertisseur.
- **Alertes et alarmes (« Alarm » dans l'application VictronConnect).**
De la même manière que décrit précédemment, mais le relais s'ouvrira également en cas de situation d'alerte. Par exemple, car la tension de la batterie a chuté au niveau de la valeur de coupure, ou lorsqu'elle est chargée au niveau où elle s'éteindra presque toujours à cause d'une situation de surcharge. En mode ECO, le relais restera fermé dans les deux situations suivantes : lorsqu'une charge est recherchée (pas de charge de consommation), ou lorsqu'il est entièrement allumé (charge détectée), sauf si un avertissement est signalé.
Par cette option, vous souhaitez que le relais signale qu'il est temps de faire quelque chose (charger la batterie, réduire la charge consommatrice, ou autre), afin d'éviter une coupure de courant.
- **Batterie faible (« Low battery » dans l'application VictronConnect)**
Relais allumé durant un fonctionnement normal. Le relais s'éteindra dès que survient un avertissement de batterie faible. Il restera éteint si le convertisseur s'arrête en raison d'une tension faible, et il ne s'allumera à nouveau que lorsque le convertisseur sera opérationnel, et que la tension de batterie sera supérieure au niveau de réinitialisation de préalarme. Utilisez cette option pour le délestage de charge, ou pour démarrer automatiquement un générateur. Notez que cela est considéré comme une méthode peu satisfaisante pour démarrer/arrêter un générateur. Pour davantage d'options plus performantes, voir ici.
- **Ventilateur externe (« fan » dans l'application VictronConnect)**
Le relais est éteint, à moins que le ventilateur intérieur soit en marche. Utilisez cette option pour allumer un ventilateur externe dans des cas où le convertisseur se trouve dans un espace petit et confiné.
- **Relais désactivé (« Off » dans l'application VictronConnect).**
Cette option configure le relais sur la position OUVERT. Utilisez cette option si vous ne pensez pas utiliser la fonction de relais.

5. CONFIGURATION



La modification des réglages ne doit être effectuée que par un technicien qualifié.
Lire attentivement les instructions avant toute modification.
Les batteries doivent être installées dans un lieu sec et bien ventilé pendant la charge.

5.1 Configuration standard : prêt à l'emploi

À la livraison, le convertisseur Phoenix est configuré avec les valeurs d'usine standard. En général, ces réglages sont adaptés à la configuration d'un système indépendant.

Réglages d'usine standard

Fréquence du convertisseur	50 Hz
Tension du convertisseur	230 VCA
Mode recherche	off
Relais programmable	Fonction d'alarme
Coupure dynamique	off

5.2 Explication des réglages

Fréquence du convertisseur

Fréquence de sortie
Réglage : 50 Hz ; 60 Hz

Tension du convertisseur

Réglage : 210 – 245V

Mode ECO

Si le mode ECO est en position « On », la consommation de puissance se réduit d'environ 80...90 % si aucune charge n'est disponible. Grâce à ce mode, quand le Convertisseur Phoenix Smart fonctionne en mode convertisseur, il est arrêté en cas d'absence de charge ou de charge très faible, puis mis en marche toutes les deux secondes et demi pour une courte période. (réglable) Si le courant de charge dépasse le niveau défini, le convertisseur continue à fonctionner. Dans le cas contraire, le convertisseur s'arrête à nouveau. Le mode ECO peut être configuré avec le bouton-poussoir se trouvant sur le devant du convertisseur. Les niveaux de charge du mode ECO « shut down » (déconnecté) et « remain on » (rester allumé) peuvent être configurés avec Victron Connect.

La configuration standard est :

Déconnecté : 50 Watt (charge linéaire)
Allumé : 100 Watt (charge linéaire).

Relais programmable

Par défaut, le relais programmable est configuré en tant que relais d'alarme, c'est-à-dire que le relais est désamorcé en cas d'alarme ou de pré-alarme (convertisseur presque trop chaud, ondulation d'entrée presque trop élevée, tension de batterie presque trop faible).

Coupure dynamique

Utilisez VictronConnect pour activer et configurer la Coupure dynamique (consultez <https://www.victronenergy.com/live/ve.direct:phoenix-inverters-dynamic-cutoff> pour davantage de détails).

N'utilisez pas la coupure dynamique dans une installation qui dispose d'autres charges connectées à la même batterie : la tension de batterie chutera à cause de la charge supplémentaire, mais l'algorithme de Coupure dynamique dans le convertisseur ne notera pas cette charge. Le convertisseur s'arrêtera donc trop tôt avec une alarme de sous-tension.

5.3 Configuration par ordinateur

Tous les paramètres peuvent être modifiés à l'aide d'un smartphone, d'une tablette ou d'un ordinateur.

Pour modifier les paramètres avec un smartphone ou une tablette, les conditions suivantes sont requises :

- Logiciel VictronConnect : il peut être téléchargé gratuitement sur notre site www.victronenergy.com.

Pour modifier les paramètres par ordinateur, les conditions suivantes sont requises :

- Logiciel VictronConnect : il peut être téléchargé gratuitement sur notre site www.victronenergy.com.
- Une interface VE.Direct-USB.

6. MAINTENANCE

Le convertisseur Phoenix Smart ne nécessite aucun entretien spécifique. Il suffit de vérifier les raccordements une fois par an. Évitez l'humidité et l'huile/suie/vapeur, et conservez l'appareil propre.

7. Caractéristiques techniques

Convertisseur Phoenix Smart	12/1600 24/1600 48/1600	12/2000 24/2000 48/2000	12/3000 24/3000 48/3000	24/5000 48/5000
Fonctionnement en parallèle et triphasé	Non			
CONVERTISSEUR				
Plage de tension d'alimentation (1)	9,3 – 17 V		18,6 – 34 V	37,2 – 68 V
Sortie	Tension de sortie : 230 VCA ±2 % 50 Hz ou 60 Hz ±0,1 % (1)			
Puissance de sortie continue à 25°C (2)	1600 VA	2000 VA	3000 VA	5000 VA
Puissance de sortie continue à 25 °C	1300 W	1600 W	2400 W	4000 W
Puissance de sortie continue à 40 °C	1200 W	1450 W	2200 W	3700 W
Puissance de sortie continue à 65 °C	800 W	1000 W	1700 W	2800 W
Puissance de crête	3000 W	4000 W	6000 W	10000 W
Dynamique (en fonction de la charge) Arrêt courant CC bas (entièrement réglable)	Coupure dynamique, consultez https://www.victronenergy.com/live/ve.direct:phoenix-inverters-dynamic-cutoff			
Efficacité maxi 12 / 24 / 48 V (%)	92 / 94 / 94%	92 / 94 / 94%	93 / 94 / 95%	95 / 96%
Puissance de charge zéro 12 / 24 / 48 V	8 / 9 / 11 W	8 / 9 / 11 W	12 / 13 / 15 W	18 / 20 W
Puissance de charge zéro en mode ECO	0,6 / 1,3 / 2,1 W	0,6 / 1,3 / 2,1 W	1,5 / 1,9 / 2,8 W	2,2 / 3,2 W
GÉNÉRAL				
Relais programmable (2)	Oui			
Arrêter et démarrer la puissance du mode ECO	réglable			
Protection (3)	a - g			
Communication sans fil Bluetooth	Pour la supervision à distance et l'intégration du système			
Port de communication VE.Direct	Pour la supervision à distance et l'intégration du système			
On/off à distance	Oui			
Caractéristiques communes	Plage de température d'exploitation : -40 à +65 °C (refroidissement par ventilateur) Humidité (sans condensation) : 95 % max.			
BOÎTIER				
Caractéristiques communes	Matériau et couleur : acier (bleu RAL 5012; et noir RAL 9017) Indice de protection : IP 21			
Raccordement batterie	Écrous M8	Écrous M8	12 V/24 V: 2+2 Écrous M8 48 V: Écrous M8	24 V: 2+2 Écrous M8 48 V: Écrous M8
Connexion CA 230 V	Bornes à vis			
Poids	12kg	13kg	19kg	29kg / 28kg
Dimensions (H x L x P)	485 x 219 x 125mm	485 x 219 x 125mm	533 x 285 x 150mm (12 V) 485 x 285 x 150mm (24 V/48 V)	595 x 295 x 160mm (24 V) 555 x 295 x 160mm (48 V)
NORMES				
Sécurité	EN 60335-1			
Émission/Immunité	EN 55014-1 / EN 55014-2 / IEC 61000-6-1 / IEC 61000-6-2 / IEC 61000-6-3			
Directive sur l'automobile	ECE R10-5			
1) Charge non linéaire, facteur de crête 3.1				
2) Relais programmable qui peut être configuré en alarme générale, sous-tension CC ou fonction de démarrage/arrêt du générateur. Valeur nominale CA : 230 V / 3 A Valeur nominale CC : 3 A jusqu'à 30 VCC, 1 A jusqu'à 70 VCC	3) Touche de protection : a) court-circuit en sortie b) surcharge c) Tension de batterie trop élevée d) Tension de batterie trop basse e) Température trop élevée f) 230 VCA sur la sortie du convertisseur g) ondulation de la tension d'entrée trop élevée			

1. SICHERHEITSHINWEISE

Allgemeines

Lesen Sie erst die mitgelieferte Beschreibung sorgfältig durch, bevor Sie das Gerät in Betrieb nehmen und machen Sie sich mit den Sicherheitsvorschriften vertraut. Dieses Produkt wurde in Übereinstimmung mit internationalen Normen entworfen und getestet. Das Gerät darf ausschließlich für den vorgesehenen Verwendungszweck benutzt werden.

WARNHINWEIS: ES BESTEHT DIE GEFAHR EINES ELEKTRISCHEN SCHLAGS.

Das Gerät wird in Verbindung mit einer ständigen Spannungsquelle (Batterie) benutzt. Auch wenn das Gerät ausgeschaltet ist, können gefährliche Spannungen an den Anschlussklemmen anliegen. Trennen Sie deshalb bei allen Wartungsarbeiten das Gerät von der Batterie.

Im Gerät gibt es keine Teile, die der Verbraucher selbst warten könnte. Nehmen Sie das Paneel an der Vorderseite nicht ab und schalten Sie das Gerät nicht ein, wenn nicht alle Paneele montiert sind. Arbeiten an dem Gerät, gleich welcher Art, sollten ausschließlich von qualifizierten Fachkräften ausgeführt werden.

Benutzen Sie das Gerät niemals in gas- oder staubexplosionsgefährdeten Räumen. Lesen Sie die Angaben des Batterieherstellers und vergewissern Sie sich, dass die Batterie für das Gerät geeignet ist. Die Sicherheitshinweise des Batterieherstellers sind immer einzuhalten.

WARNHINWEIS: Heben Sie schwere Lasten nie ohne Hilfe.

Installation

Lesen Sie erst die Installationshinweise in der Bedienungsanleitung, bevor Sie das Gerät anschließen.

Dieses Produkt entspricht der Sicherheitsklasse I (mit Sicherungserdung) **Das Gehäuse muss geerdet werden.** Ein Erdungsanschluss ist außen am Gehäuse angebracht. Wenn die Vermutung besteht, dass die Schutzerdung unterbrochen ist, muss das Gerät außer Betrieb gesetzt und gegen jedes unbeabsichtigte Betreiben gesichert werden; ziehen Sie einen Fachmann zu Rate.

Sorgen Sie dafür, dass die Anschlusskabel abgesichert und mit Leistungsschaltern ausgestattet sind. **In diesem Produkt ist keine interne Sicherung vorhanden.** Wechseln Sie nie ein Sicherungselement gegen eines mit unterschiedlichem Wert aus. Lesen Sie in der Gebrauchsanweisung nach, welche Typenkennwerte geeignet sind.

Stellen Sie während der Installation sicher, dass der Fernsteuerungsstecker mit Drahtbrücke entfernt wurde (oder schalten Sie den ferngesteuerten Ein-/Aus-Schalter aus, sofern vorhanden). Auf diese Weise wird verhindert, dass der Wechselrichter plötzlich eingeschaltet wird.

Vergewissern Sie sich vor dem Einschalten des Geräts, dass die Anschlusswerte des Netzes mit den in der Bedienungsanleitung angegebenen Werten übereinstimmen.

Sorgen Sie dafür, dass das Gerät nur innerhalb der zulässigen Betriebsbedingungen genutzt wird. Betreiben Sie das Gerät niemals in feuchter oder staubiger Umgebung. Sorgen Sie dafür, dass Luft frei um das Gerät zirkulieren kann und dass die Belüftungsöffnungen freigehalten werden.

Stellen Sie sicher, dass die geforderte Systemspannung der des Geräts entspricht.

Transport und Lagerung

Sorgen Sie dafür, dass das Gerät bei der Lagerung oder beim Transport vom Netz und der Batterie getrennt ist.

Es wird keine Haftung für Transportschäden übernommen, wenn das Gerät nicht in der Originalverpackung transportiert wird.

Lagern Sie das Gerät an einem trockenen Ort; die Lagertemperatur muss zwischen -20°C und 60°C liegen.

Informieren Sie sich in der Bedienungsanleitung des Batterieherstellers über den Transport, die Lagerung, das Aufladen, Wiederaufladen und das Entsorgen der Batterie.

2. BESCHREIBUNG

2.1 Allgemeines

Eingebaute Bluetooth-Funktion: Über ein Tablet oder Smartphone vollständig konfigurierbar.

- Schwellwerte zum Auslösen und Zurücksetzen von Alarmen bei niedrigem Ladezustand der Batterie.
- Schwellwerte zum Ausschalten und Neustarten bei niedrigen Batteriespannungswerten.
- Dynamisches Abschalten: lastabhängiger Abschalt-Schwellwert
- Ausgangsspannung: 210 - 245V
- Frequenz: 50 Hz oder 60 Hz
- Schwellwert für ECO-Modus ein/aus und ECO-Modus-Fühler
- Alarm-Relais

Überwachung:

- Ein- und Ausgangsspannung, % Last und Alarme

Weitere Informationen finden Sie im [VictronConnect-Handbuch](#).

VE.Direct Kommunikationsanschluss

Der VE.Direct Port kann an einen Computer angeschlossen werden (es wird ein VE.Direct zu USB-Interface-Kabel benötigt), um dieselben Parameter zu konfigurieren und zu überwachen.

Bewährte Zuverlässigkeit

Die vollständige Überbrückung zusätzlich mit einer Ringtransformatorentopologie hat sich seit Jahren bewährt.

Die Wechselrichter sind kurzschlussfest und vor Überhitzung (ob nun durch Überlastung oder durch die Umgebungstemperatur hervorgerufen) geschützt.

Hohe Einschaltleistung

Diese wird zum Einschalten von Lasten wie zum Beispiel Spannungsumformern für LED-Lampen, Halogenlampen oder Elektrowerkzeugen benötigt.

ECO-Modus

Im ECO-Modus schaltet der Wechselrichter auf Standby, sobald die Last unter einen voreingestellten Wert abfällt (Min. Last Schwellwert zum Anschalten: 10 VA; und Min. Last Schwellwert zum Ausschalten: 0 VA). Im Standby-Modus schaltet sich der Wechselrichter dann für einen kurzen Zeitraum ein (regulierbar, Standardeinstellung: alle 3 Sekunden). Überschreitet dabei die Last einen voreingestellten Schwellwert, bleibt der Wechselrichter eingeschaltet.

Ferngesteuerte Ein-/Aus-Schaltung

Ein ferngesteuerter Ein-/Ausschalter kann an einen zweipoligen Stecker angeschlossen werden, zwischen dem Pluspol der Batterie und dem linken Kontakt des zweipoligen Steckers bzw. zwischen dem Minuspol der Batterie und dem rechten Kontakt des zweipoligen Steckers.

LED-Diagnose

Siehe Abschnitt 3.3.

Lastumschaltung auf eine weitere Wechselstromquelle: der automatische Transferschalter

Für unsere Niedrigleistung-Wechselrichter empfehlen wir unseren Filax Automatic Transfer Switch. Mit dem Filax erfolgt die Umschaltung sehr schnell (in weniger als 20 Millisekunden), so dass ein unterbrechungsfreier Betrieb von Computern und anderen elektronischen Geräten gewährleistet ist. Alternativ können Sie auch einen MultiPlus mit eingebautem Transferschalter verwenden.

3. BETRIEB

3.1 Ein/Aus-Drucktaste

Nachdem Sie das Gerät über den Druckknopf auf "ON" geschaltet haben, ist es voll betriebsbereit. Der Wechselrichter arbeitet und die LED-Anzeige „inverter“ leuchtet auf. Bei mehrmaligem Betätigen des Druckknopfes in kurzen Abständen schaltet der Wechselrichter zwischen "ON", "ECO" und "OFF" hin und her. Der Wechselrichter geht mit minimaler Stromaufnahme in den Schlafmodus über, wenn das Gerät mit der Drucktaste abgeschaltet wird.

Abgesehen von der Drucktaste kann der Wechselrichter auch per Bluetooth über ein Mobilgerät mit iOS oder Android Betriebssystem und der Victron Connect App ein- (Normal- der ECO-Modus) und Ausgeschaltet werden. Wenn das Gerät jedoch entweder per Bluetooth oder mit der Drucktaste ausgeschaltet wurde, lässt es sich **nicht** wieder über den verdrahteten VE.Direct Port ein- und ausschalten.

Ein/Aus-Schalter (nur 5 kVA)

Die 5 kVA-Einheit hat einen Hauptein-/Ausschalter neben den Kabeleinführungen auf der rechten Seite. Wenn dieser Schalter ausgeschaltet ist, wird der Versorgungsstrom vollständig abgeschaltet.

3.2 Fernbedienung

Die Fernbedienung kann über einen einfachen „Ein/Aus“-Schalter oder das Phoenix Wechselrichter Bedienpaneel erfolgen. Ein Schalter für die Fernsteuerung (ein/aus) kann an einen zweipoligen Stecker angeschlossen werden. Der Schalter kann auch zwischen dem Pluspol der Batterie und dem linken Kontakt des zweipoligen Steckers (mit „H“ markiert, siehe Anhang A) bzw. zwischen dem Minuspol der Batterie und dem rechten Kontakt des zweipoligen Steckers (mit „L“ markiert, siehe Anhang A) angeschlossen werden.



Aus Sicherheitsgründen kann dieses Produkt gänzlich ausgeschaltet werden (damit der Wechselrichter z. B. nicht über die Drucktaste oder per Bluetooth eingeschaltet werden kann), wenn der Fernsteuerungs-Stecker und seine standardmäßige Drahtbrücke entfernt werden (oder durch Ausschalten des ferngesteuerten Ein-/Aus-Schalters, sofern vorhanden). So kann der Nutzer sicher gehen, dass der Wechselrichter nicht aus Versehen per Bluetooth plötzlich durch einen anderen Nutzer eingeschaltet wird.

3.3 LED Beschreibung

Grüne LED:	Status	Störungssuche
●●●●●●●●	Wechselrichter an	Rote LED aus Status OK Rote LED an oder blinkt: Der Wechselrichter ist noch in Betrieb, schaltet jedoch ab, wenn der Zustand sich verschlimmert. Siehe Tabelle über rote LED für die Ursachen der Warnung
●●-----	ECO-Modus	Wenn der Wechselrichter sich immer wieder ein- und ausschaltet, während eine Last angeschlossen ist, kann es sein, dass die Last im Vergleich zu den derzeitigen ECO-Modus-Einstellungen zu gering ist. Erhöhen Sie die Last oder ändern Sie die ECO-Modus-Einstellungen. Mindesteinstellung ECO-Modus: 15 W)
●-●-----	Aus und in Wartestellung	Der Wechselrichter hat sich aus Schutzgründen abgeschaltet. Der Wechselrichter wird sich nach Beseitigung aller Alarmbedingungen automatisch neu starten. Siehe Status rote LED für die Ursachen des Abschaltens.
-----	Wechselrichter aus	Rote LED aus Überprüfen Sie den Stecker für ferngesteuerte Ein-/Aus-Schaltung. Überprüfen Sie die Gleichstrom-Kabelanschlüsse und Sicherungen. Überprüfen Sie den Betriebsmodus durch einmaliges Betätigen des Druckknopfes. Rote LED an oder blinkt: Der Wechselrichter hat sich aus Schutzgründen abgeschaltet. Er schaltet sich nicht mehr automatisch ein. Die rote LED gibt die Ursache für das Abschalten an. Beheben Sie die Ursache und starten Sie den Wechselrichter erneut, indem Sie ihn zunächst AUS- und dann wieder EIN-schalten.
●-●-●-●-	Aus und Firmware-Update wird durchgeführt oder ist fehlgeschlagen	Rote LED blinkt (-●-●-●-●) Firmware-Update wird durchgeführt oder ist fehlgeschlagen. Wenn fehlgeschlagen, Firmware-Update erneut versuchen.

Gelbe LED	Status	Störungssuche
●●●●●●●●	Leuchtet ununterbrochen	Rote LED aus Status OK Rote LED an oder blinkt: Der Wechselrichter ist noch in Betrieb, schaltet jedoch ab, wenn der Zustand sich verschlimmert. Siehe Tabelle über rote LED für die Ursachen der Warnung
-----	Aus	Rote LED aus Überprüfen Sie den Betriebsmodus durch einmaliges Betätigen des Druckknopfes. Überprüfen Sie den Stecker für ferngesteuerte Ein-/Aus-Schaltung. Überprüfen Sie die Gleichstrom-Kabelanschlüsse und Sicherungen. Rote LED an oder blinkt: Der Wechselrichter hat sich aus Schutzgründen abgeschaltet. Er schaltet sich nicht mehr automatisch ein. Die rote LED gibt die Ursache für das Abschalten an. Beheben Sie die

			Ursache und starten Sie den Wechselrichter erneut, indem Sie ihn zunächst AUS- und dann wieder EIN-schalten.
--	--	--	--

Rote LED		Beschreibung	Störungssuche
●●●●●●●●	Leuchtet ununterbrochen	Überlastung	Last verringern.
●●●●- - - -	Langsames Blinken	Ladezustand niedrig	Batterie aufladen oder ersetzen. Überprüfen Sie die Gleichstrom-Kabelanschlüsse. Überprüfen Sie den Kabelquerschnitt, da dieser möglicherweise nicht ausreicht. Siehe Abschnitt 4.2 Schutzvorkehrungen und automatische Neustartbedingungen für einen manuellen und automatischen Neustart.
●-●-●-●-●-	Schnelles Blinken	Batterieladezustand hoch	Verringern Sie die DC-Eingangsspannung. Überprüfen Sie, ob das Ladegerät defekt ist.
●-●- - - - -	Doppeltes Pulsieren	Temperatur hoch	Verringern Sie die Last und/oder verlagern Sie den Standort des Wechselrichters an einen besser belüfteten Ort.
●- - - ●- - -	Schnelles einmaliges Pulsieren	DC-Brummspannung hoch	Überprüfen Sie die DC-Kabelanschlüsse und den Kabelquerschnitt.

3.4 Schutzvorkehrungen und automatische Neustartbedingungen

Überlastung

Einige Lasten wie Motoren oder Pumpen nehmen bei der Inbetriebnahme hohe Einschaltströme auf. In diesen Fällen kann es sein, dass der Einschaltstrom den Grenzwert für Überstrom-Fehler des Wechselrichters übersteigt. In einem solchen Fall verringert sich die Ausgangsspannung schnell, um den Ausgangsstrom des Wechselrichters zu begrenzen. Wird der Grenzwert für Überstrom-Fehler fortwährend überschritten, schaltet sich der Wechselrichter ab und startet nach 30 Sekunden neu.

Nach drei Neustarts gefolgt von einer weiteren Überlastung innerhalb der ersten 30 Sekunden nach dem Neustart schaltet sich der Wechselrichter aus und bleibt ausgeschaltet. Die LED zeigen ein Abschalten aufgrund von Überlastung an. Um den Wechselrichter erneut zu starten, müssen Sie ihn erst AUS- und dann wieder EIN-schalten.

niedrige Batteriespannung (regulierbar)

Der Wechselrichter schaltet sich ab, wenn die DC-Eingangsspannung unter den Schwellwert für das Abschalten aufgrund eines niedrigen Ladezustandes abfällt. Nach einer Mindestverzögerung von 30 Sekunden startet der Wechselrichter erneut, wenn die Spannung den Schwellwert zum Neustarten nach niedrigem Ladezustand überschreitet.

Nach drei Neustarts gefolgt von einem weiteren Abschalten innerhalb der ersten 30 Sekunden nach dem Neustart aufgrund eines niedrigen Ladezustandes, schaltet sich der Wechselrichter aus und versucht es nicht erneut. Die LED zeigen an, dass es zu einem Abschalten aufgrund eines niedrigen Ladezustandes gekommen ist. Um den Wechselrichter erneut zu starten, schalten Sie ihn zunächst AUS und dann wieder EIN oder laden Sie die Batterie wieder auf. Sobald der Ladezustand der Batterie angestiegen ist und mindestens 30 Sekunden über dem Schwellwert zum Laden bleibt, schaltet er sich ein.

Die Standardschwellwerte für das Abschalten aufgrund eines niedrigen Ladezustandes und für das Neustarten finden Sie in den Technischen Angaben. Sie lassen sich mit der VictronConnect App anpassen.

Hohe Batteriespannung

Verringern Sie die DC-Eingangsspannung und/oder überprüfen Sie, ob eine Batterie oder ein Solar-Ladegerät im System fehlerhaft ist. Wird der Wechselrichter aufgrund einer zu hohen Batteriespannung abgeschaltet, wartet er zunächst 30 Sekunden und versucht dann, erneut zu starten, sobald die Batteriespannung auf einen annehmbaren Wert gesunken ist. Der Wechselrichter bleibt nach mehrmaligen Versuchen nicht aus.

Hohe Temperatur

Eine hohe Umgebungstemperatur oder eine andauernde hohe Last kann zu einem Abschalten aufgrund einer Übertemperatur führen. Der Wechselrichter startet nach 30 Sekunden erneut. Der Wechselrichter bleibt nach mehrmaligen Versuchen nicht aus. Verringern Sie die Last und/oder verlagern Sie den Standort des Wechselrichters an einen besser belüfteten Ort.

DC-Brummspannung hoch

Eine hohe DC-Brummspannung wird normalerweise durch lose DC-Kabelverbindungen und/oder eine zu dünne DC-Verkabelung verursacht. Nachdem der Wechselrichter sich aufgrund einer zu hohen DC-Brummspannung abgeschaltet hat, wartet er 30 Sekunden und startet dann erneut.

Nach drei Neustarts gefolgt von einem weiteren Abschalten innerhalb der ersten 30 Sekunden nach dem Neustart aufgrund einer zu hohen DC-Brummspannung, schaltet sich der Wechselrichter aus und versucht es nicht erneut. Um den Wechselrichter erneut zu starten, müssen Sie ihn erst AUS- und dann wieder EIN-schalten.

Eine anhaltende hohe DC-Brummspannung verringert die Lebenserwartung des Wechselrichters.

4. INSTALLATION



Dieses Produkt darf nur von einer qualifizierten Elektrofachkraft installiert werden.



Stellen Sie während der Installation sicher, dass der Fernsteuerungsstecker mit Drahtbrücke entfernt wurde (oder schalten Sie den ferngesteuerten Ein-/Aus-Schalter aus, sofern vorhanden). Auf diese Weise wird verhindert, dass der Wechselrichter plötzlich eingeschaltet wird.

4.1 Einbauort

Das Gerät soll an einem trockenen und gut belüfteten Platz möglichst nahe zur Batterie installiert werden. Ein Abstand von ca.10 cm sollte aus Kühlungsgründen um das Gerät herum frei bleiben.



Übermäßig hohe Umgebungstemperatur führt zu:

Verkürzter Lebensdauer.

Geringerem Ladestrom.

Reduzierter Spitzenkapazität oder Abschaltung des Gerätes.

Montieren Sie das Gerät niemals direkt über den Batterien.

Das Produkt ist auch zur Wandmontage geeignet. Zur Montage, siehe Anhang A.

Das Gerät kann sowohl horizontal wie auch vertikal montiert werden. Allerdings sollte es, wenn möglich, vertikal montiert werden, da dies eine optimale Kühlung des Geräts gewährleistet.



Nach dem Einbau muss das Gerät innen zugänglich bleiben.

Um den Spannungsverlust über die Kabel möglichst gering zu halten, sollte der Abstand zwischen dem Gerät und der Batterie möglichst kurz sein.



Aus Sicherheitsgründen sollte dieses Gerät wie alle elektrischen Verbraucher, die eine bestimmte elektrische Leistung umsetzen, in einer hitzebeständigen Umgebung installiert werden. Stellen Sie sicher, dass keine brennbaren Chemikalien, Plastikteile, Vorhänge oder andere Textilien in unmittelbarer Nähe sind.

4.2 Batteriekabel anschließen

Um die Leistung des Produkts voll ausnützen zu können, sollten nur Batterien mit ausreichender Kapazität und Batteriekabel mit dem richtigen Querschnitt verwendet werden. Siehe Tabelle.

	12/1600	24/1600	48/1600	12/2000	24/2000	48/2000
Empfohlene Sicherung	250A	125A	60A	300A	150A	80A
Empfohlener Kabelquerschnitt (mm ²)						
0 - 5 m	70	35	16	70	50	25
5 - 10 m	nicht empfohlen	70	25	nicht empfohlen	95	50

	12/3000	24/3000	48/3000	24/5000	48/5000
Empfohlene Sicherung	400A	250A	125	400A	200A
Empfohlener Kabelquerschnitt (mm ²)					
0 - 5 m	2x 95*	1x 50	1x 35	2x 95*	1x 70
5 - 10 m	nicht empfohlen	2x 50	2x 35	2x 95	2x 70

	12/1600	24/1600	48/1600	12/2000	24/2000	48/2000
Empfohlene Batteriekapazität (Ah)	300 - 800	150 - 400	75 - 200	350 - 1000	200 - 500	100 - 250

	12/3000	24/3000	48/3000	24/5000	48/5000
Empfohlene Batteriekapazität (Ah)	400 - 1200	200 - 700	100 - 400	300 - 1500	150 - 700

Anmerkung: Innerer Widerstand ist der wesentliche Faktor bei der Nutzung von Batterien mit geringer Kapazität. Lassen Sie sich bitte von Ihrem Lieferanten beraten oder lesen Sie die entsprechenden Abschnitte in unserem schon oben erwähnten Buch „Immer Strom“.

Vorgehensweise

Bezüglich der Kabelanschlüsse gehen Sie bitte wie folgt vor:



Benutzen Sie zur Vermeidung von Kurzschlüssen isolierte Maulschlüssel!
Vermeiden Sie Kabelkurzschlüsse!

Schließen Sie die Batteriekabel an: das rote an den + Pol, das schwarze an den - Pol der Batterie (siehe Anhang A).
Ein verpoltter Anschluss (+ an – und – an +) beschädigt das Gerät.
Ziehen Sie alle Muttern stramm an, um den Kontaktwiderstand weitestgehend zu reduzieren.

4.3 Anschluss der Wechselstromkabel

Dieses Produkt entspricht der Sicherheitsklasse I (mit Sicherungserdung)



Der Nullleiter des Wechselstromausgangs dieses Wechselrichters ist mit dem Chassis verbunden (siehe Anhang B für 1600VA/2000VA und Anhang C für 3000VA/5000VA).

Damit wird die einwandfreie Funktion des FI-Schutzschalters, der am Wechselstromausgang des Wechselrichters anzuschließen ist, gewährleistet.

Das Gehäuse des Gerätes muss mit der Erde, dem Fahrzeugrahmen (Landfahrzeug) oder der Erdungsplatte bez. dem Rumpf des Bootes verbunden werden.

Vorgehensweise

Die Anschlusspunkte sind deutlich gekennzeichnet. Von links nach rechts: "L" (Phase), "N" (Nullleiter), "PE" (Erde).

4.4 Weitere Anschlussmöglichkeiten

Es gibt eine Anzahl weiterer Anschlussmöglichkeiten:

4.4.1 Ferngesteuerter Ein-/Aus-Schalter & ferngesteuertes Bedienpaneel

Die Fernbedienung des Gerätes ist auf dreifache Weise möglich:

- Mit einem Smartphone (iOS oder Android) und der Victron Connect App.
- Mit einem externen Schalter (der mit dem zweipoligen Fernbedienungsstecker verbunden ist). Der Hauptschalter am Wechselrichter muss auf "on" stehen.
- Mit einem Phoenix-Wechselrichter VE.Direct Bedien-Paneel (Anschluss an den zweipoligen Fernbedienungsstecker, siehe Anhang A). Der Hauptschalter am Wechselrichter muss auf "on" stehen.

4.4.2 Programmierbares Relais

Die Wechselrichter sind mit einem multifunktionalen Relais ausgestattet, das standardmäßig im Normalbetriebs-Modus programmiert ist. (Zur Änderung der Funktion des Relais wird die VictronConnect Software benötigt.) Die verschiedenen Relais-Modi lassen sich wie folgt zusammenfassen:

- **Normalbetrieb („Wechselrichter“ in der VictronConnect App) - Standardeinstellung**
Während es Normalbetriebs ist das Relais geschlossen. Es ist offen, wenn der Wechselrichter sich bei einem Alarm ausgeschaltet hat oder durch einen Nutzer ausgeschaltet wurde. Es ist (natürlich) auch offen, wenn kein Strom an den Anschlüssen anliegt, z. B. weil die Batterie nicht angeschlossen ist. Im ECO-Modus ist das Relais geschlossen, sowohl wenn nach einer Last gesucht wird als auch, wenn das Gerät vollständig an ist, z. B. wenn eine Last erkannt wurde.
Verwenden Sie diese Option, wenn Sie möchten, dass das Relais signalisiert, dass an den Ausgängen des Wechselrichters Strom vorhanden ist.
- **Warnhinweise und Alarme („Alarm“ in der VictronConnect App)**
Ähnlich wie oben, jedoch öffnet sich das Relais auch, wenn ein Warnhinweis vorliegt. Zum Beispiel, weil die Batteriespannung auf den Abschalt-Wert abgefallen ist, oder wenn die Batterie so viel geladen wurde, dass ein Abschalten aufgrund von Überlast bald bevorsteht. Im ECO-Modus ist das Relais geschlossen, sowohl wenn nach einer Last gesucht wird als auch, wenn das Gerät vollständig an ist, (d. h., wenn eine Last erkannt wurde). Ausgenommen ist hier der Fall, wenn ein Warnhinweis vorliegt.
Verwenden Sie diese Option, wenn Sie möchten, dass das Relais signalisiert, dass eine Handlung erforderlich ist (Laden der Batterie, Reduzierung der Last, etc.), um einen Stromausfall zu verhindern.
- **Batterie schwach („Batterie schwach“ in der VictronConnect App)**
Das Relais ist im Normalbetrieb an. Es schaltet sich ab, wenn ein Warnhinweis „Batterie schwach“ vorliegt. Es bleibt aus, wenn der Wechselrichter aufgrund einer zu schwachen Spannung abschaltet. Es schaltet sich erst wieder ein, wenn der Wechselrichter in Betrieb ist und die Batteriespannung den Schwellwert zum Zurücksetzen des Vor-Alarmes überschreitet. Verwenden Sie diese Option zum Last-Abwurf oder, um automatisch einen Generator zu starten. Beachten Sie bitte, dass es sich hierbei eher um eine behelfsmäßige Option zum Starten/Stoppen eines Generators handelt. Weitere und besser geeignete Optionen finden Sie hier.
- **Externer Lüfter („Lüfter“ in der VictronConnect App)**
Das Relais ist aus, es sei denn, der Lüfter im Inneren des Wechselrichters ist in Betrieb. Verwenden Sie diese Option zum Steuern eines externen Lüfters, zum Beispiel, wenn sich der Wechselrichter in einem engen, geschlossenen Bereich befindet.
- **Deaktiviertes Relais („aus“ in der VictronConnect App)**
Diese Option stellt das Relais in die Position OPEN. Verwenden Sie diese Option, wenn Sie die Relais-Funktion nicht verwenden möchten.

5. Konfiguration



Die Einstellungen dürfen nur von einer qualifizierten Elektrofachkraft geändert werden.
Lesen Sie vor eventuellen Änderungen erst die Anweisungen.

Die Batterien müssen während des Ladevorgangs in einem trockenen, gut belüfteten Raum stehen.

EN

NL

FR

DE

ES

SE

Appendix

5.1 Standardeinstellung: betriebsbereit

Phoenix-Wechselrichter werden ab Fabrik mit Standardeinstellungen ausgeliefert. Diese beziehen sich auf den Betrieb als Einzelgerät.

Standard-Fabrikereinstellungen

Wechselrichterfrequenz	50 Hz
Wechselrichterspannung	230 VAC
Suchmodus	aus
Programmierbares Relais	Alarmfunktion
Dynamisches Abschalten	aus

5.2 Erläuterungen zu den Einstellungen

Wechselrichter-Frequenz

Frequenz am Ausgang
Einstellbar: 50Hz; 60Hz

Wechselrichter-Spannung

Einstellbar: 210 – 245 V

ECO-Modus

Steht der ECO-Modus auf "on", wird der Stromverbrauch bei Nulllastbetrieb um ungefähr 80...90 % reduziert. In diesem Modus schaltet sich der Phoenix Wechselrichter Smart, wenn er im Wechselrichter-Modus betrieben wird, bei Nulllast bzw. bei nur geringer Last ab und schaltet sich alle zweieinhalb Sekunden für einen kurzen Zeitraum (anpassbar) wieder ein. Überschreitet der Ausgangsstrom einen eingestellten Grenzwert, nimmt der Wechselrichter den Betrieb wieder auf. Ist dies nicht der Fall, schaltet sich der Wechselrichter wieder ab.

Der ECO-Modus lässt sich mit dem Druckknopf an der Vorderseite des Wechselrichters einstellen.

Die Last-Schwellwerte "shut down" (abschalten) und "remain on" (eingeschaltet bleiben) lassen sich für den ECO-Modus mit Victron Connect einstellen.

Die werksseitigen Standard-Einstellungen sind:

Abschalten: 50 Watt (lineare Last)
Einschalten: 100 Watt (lineare Last)

Programmierbares Relais

In der Grundeinstellung wirkt das Multifunktions-Relais als Alarmrelais d.h. es schaltet das Gerät bei Störungen ab (Gerät wird zu heiß, Brummspannung am Eingang zu hoch, Batteriespannung zu niedrig).

Dynamisches Abschalten

Verwenden Sie VictronConnect, um das dynamische Abschalten zu aktivieren und zu konfigurieren (siehe <https://www.victronenergy.com/live/ve.direct:phoenix-inverters-dynamic-cutoff> für zusätzliche Angaben).

Verwenden Sie das dynamische Abschalten nicht in Installationen, bei denen auch andere Lasten an dieselbe Batterie angeschlossen sind: Die Batteriespannung fällt dann aufgrund der zusätzlichen Last ab, der Algorithmus des dynamischen Abschaltens im Wechselrichter berücksichtigt diese Last jedoch nicht. Daher schaltet sich der Wechselrichter zu früh mit einem Unterspannungs-Alarm ab.

5.3 Konfiguration mit dem Computer

Sämtliche Einstellungen lassen sich mit einem Smartphone, Tablet oder Computer verändern.

Bei der Änderung von Einstellungen mit einem Smartphone oder Tablet wird Folgendes benötigt:

- Die VictronConnect: Sie steht zum kostenlosen Download unter www.victronenergy.com bereit.

Bei Einstellungen mit dem PC wird Folgendes benötigt:

- Die VictronConnect: Sie steht zum kostenlosen Download unter www.victronenergy.com bereit.
- Eine VE.Direct zu USB-Schnittstelle

6. WARTUNG

Der Phoenix Wechselrichter Smart bedarf keiner speziellen Wartung. Es reicht aus, wenn die Anschlüsse einmal jährlich kontrolliert werden. Feuchtigkeit sowie Staub, Öl- und sonstige Dämpfe sollten vermieden werden. Halten Sie die Geräte sauber.

7. Technische Daten

Phoenix Wechselrichter Smart	12/1600 24/1600 48/1600	12/2000 24/2000 48/2000	12/3000 24/3000 48/3000	24/5000 48/5000
Parallelschaltung und Drei-Phasen-Betrieb	Nein			
WECHSELRICHTER				
Eingangsspannungsbereich (1)	9,3 – 17 V 18,6 – 34 V 37,2 – 68 V			
Ausgang	Ausgangsspannung: 230 VAC ±2 % 50 Hz oder 60 Hz ± 0,1 % (1)			
Kont. Ausgangsleistung bei 25°C (2)	1600 VA	2000 VA	3000 VA	5000 VA
Kont. Ausgangsleistg. bei 25°C	1300 W	1600 W	2400 W	4000 W
Kont. Ausgangsleistg. bei 40°C	1200 W	1450 W	2200 W	3700 W
Kont. Ausgangsleistg. bei 65°C	800 W	1000 W	1700 W	2800 W
Spitzenleistung	3000 W	4000 W	6000 W	10000 W
Dynamisches (lastabhängiges) Herunterfahren aufgrund von niedrigem DC (vollständig konfigurierbar)	Dynamisches Abschalten, siehe https://www.victronenergy.com/live/ve.direct:phoenix-inverters-dynamic-cutoff			
Max. Wirkungsgrad 12/ 24 /48 V	92 / 94 / 94%	92 / 94 / 94%	93 / 94 / 95%	95 / 96%
Null-Last Leistung 12 / 24 / 48 V	8 / 9 / 11 W	8 / 9 / 11 W	12 / 13 / 15 W	18 / 20 W
Null-Last Leistung im ECO-Modus	0.6 / 1.3 / 2.1 W	0.6 / 1.3 / 2.1 W	1.5 / 1.9 / 2.8 W	2.2 / 3.2 W
ALLGEMEINES				
Programmierbares Relais (2)	Ja			
Stopp- & Start-Leistung ECO-Modus	regelbar			
Schutz (3)	a - g			
Drahtlose Bluetooth Kommunikation	Für Fernüberwachung und Systemintegration			
VE.Direct Kommunikationsanschluss	Für Fernüberwachung und Systemintegration			
Ferngesteuerte Ein-/Aus-Schaltung	Ja			
Gemeinsame Merkmale	Betriebstemperaturbereich: -40 bis +50°C (Gebläselüftung) Feuchte (nicht kondensierend): max. 95 %			
GEHÄUSE				
Gemeinsame Merkmale	Material & Farbe: Stahl (Blau RAL 5012; und Schwarz RAL 9017) Schutzklasse: IP 21			
Batterie-Anschluss	M8 Bolzen	M8 Bolzen	12 V/24 V: 2+2 M8 Boltzen 48 V: M8 Boltzen	24 V: 2+2 M8 Boltzen 48 V: M8 Boltzen
230 V AC Anschluss	Schraubklemmen			
Gewicht	12kg	13kg	19kg	29kg / 28kg
Abmessungen (HxBxT)	485 x 219 x 125mm	485 x 219 x 125mm	533 x 285 x 150mm (12 V) 485 x 285 x 150mm (24 V/48 V)	595 x 295 x 160mm (24 V) 555 x 295 x 160mm (48 V)
NORMEN				
Sicherheit	EN 60335-1			
Emissionen Immunität	EN 55014-1 / EN 55014-2 / IEC 61000-6-1 / IEC 61000-6-2 / IEC 61000-6-3			
Automobil-Richtlinie	ECE R10-5			
1) Nichtlineare Last, Spitzenfaktor 3:1				
2) Relais u. a. einstellbar als allgemeines Alarm-Relais, DC-Unterspannungs-Alarm oder Start-/Stopp-Funktion für ein Aggregat Wechselstrom Nennleistung: 230 V / 3 A Gleichstrom Nennwert: 3 A bis zu 30 VDC, 0,2A bis zu 70 VDC	3) Schutzschlüssel: a) Ausgangskurzschluss b) Überlast c) Batteriespannung zu hoch d) Batterie-Spannung zu niedrig e) Temperatur zu hoch f) 120 V AC am Wechselrichter Ausgang g) Zu hohe Brummspannung am Eingang			

1. INSTRUCCIONES DE SEGURIDAD

General

Antes de utilizar este equipo lea la documentación suministrada con este producto para familiarizarse con las instrucciones y medidas de seguridad. Este producto ha sido diseñado y comprobado de acuerdo con las normas internacionales. El equipo debe utilizarse exclusivamente para los fines para los que ha sido diseñado.

ADVERTENCIA: PELIGRO DE DESCARGA ELÉCTRICA.

El producto se usa junto con una fuente de alimentación permanente (batería). Aunque el equipo esté apagado, puede producirse una tensión eléctrica peligrosa en los terminales de entrada y salida. Desconecte siempre la batería antes de realizar tareas de mantenimiento.

El producto no tiene componentes internos que puedan ser manipulados por el usuario. No retire el panel frontal ni encienda el producto si cualquiera de los paneles ha sido retirado. Cualquier reparación deberá llevarla a cabo personal cualificado.

No utilice este producto en lugares con riesgo de explosión de gas o polvo. Consulte la información del fabricante de la batería para asegurarse de que el producto es compatible para su uso con la batería. Deberán cumplirse siempre las instrucciones de seguridad del fabricante.

ADVERTENCIA: No levante cargas pesadas sin ayuda.

Instalación

Lea atentamente las instrucciones de instalación en el manual de instalación antes de instalar el equipo.

Este producto es un dispositivo de clase de seguridad I (suministrado con terminal de puesta a tierra). **El chasis debe estar conectado a tierra.** Hay un punto de puesta a tierra en la parte exterior del producto. Si sospecha que la puesta a tierra pueda estar dañada, deberá desconectar el equipo y asegurarse de que no se puede poner en marcha de forma accidental; póngase en contacto con personal técnico cualificado.

Compruebe que los cables de entrada CC y CA disponen de fusibles y de disyuntores. **Este producto no tiene fusible interno en su interior.** No sustituya nunca un componente de seguridad con uno de otro tipo. Consulte el manual para determinar cuál es el componente adecuado.

Durante la instalación, asegúrese de que se retira el conector remoto con puente (o apague el interruptor de encendido/apagado remoto si está instalado) para estar seguro de que el inversor no puede encenderse de forma inesperada.

Antes de conectarlo a la corriente, asegúrese de que la fuente eléctrica disponible coincide con la configuración del producto descrita en el manual.

Compruebe que el equipo se utiliza en las condiciones ambientales correctas. No utilice el producto en un ambiente húmedo o polvoriento. Compruebe que hay suficiente espacio alrededor del producto para su ventilación y que los orificios de ventilación no están tapados.

Compruebe que la tensión necesaria para el sistema no exceda la capacidad del producto.

Transporte y almacenamiento

Asegúrese de que los cables de alimentación y los de la batería han sido desconectados para su almacenamiento o transporte.

No se aceptará ninguna responsabilidad por cualquier daño ocasionado al equipo durante el transporte si este no lleva su embalaje original.

Guarde el producto en un entorno seco, la temperatura de almacenamiento debe oscilar entre -20°C y 60°C.

Consulte el manual del fabricante de la batería para obtener información sobre el transporte, almacenamiento, carga, recarga y eliminación de la batería.

2. DESCRIPCIÓN

2.1 General

Bluetooth incorporado: totalmente configurable con una tableta o smartphone

- Niveles de disparo de la alarma y reseteo por tensión baja de la batería.
- Niveles de desconexión y reinicio por tensión baja de la batería.
- Desconexión dinámica: nivel de desconexión dependiente de la carga
- Tensión de salida: 210 - 245V
- Frecuencia: 50 Hz o 60 Hz
- On/off del modo ECO y sensor de nivel del modo ECO
- Relé de alarma

Seguimiento:

- Tensión de entrada y salida, % de carga y alarmas

Para más información, consulte el [manual de VictronConnect](#).

Puerto de comunicación VE.Direct

El puerto VE.Direct puede conectarse a un ordenador (se necesita un cable de interfaz VE.Direct) para configurar y monitorizar los mismos parámetros.

Fiabilidad probada

La topología de puente completo más transformador toroidal ha demostrado su fiabilidad a lo largo de muchos años.

Los inversores están a prueba de cortocircuitos y protegidos contra el sobrecalentamiento, ya sea debido a una sobrecarga o a una temperatura ambiente elevada.

Alta potencia de arranque

Necesaria para arrancar cargas como convertidores para lámparas LED, halógenas o herramientas eléctricas.

Modo ECO

En modo ECO, el inversor se pondrá en espera cuando la carga descienda por debajo de un valor predeterminado (nivel mínimo de encendido de la carga: 10 VA; y nivel mínimo de apagado de la carga: 0 VA). Una vez en espera, el inversor se activará brevemente (ajustable; por defecto: cada 3 segundos). Si la carga excede el nivel predeterminado, el inversor permanecerá encendido.

Interruptor on/off remoto

Se puede conectar un interruptor On/Off remoto a un conector bifásico.

Alternativamente, el terminal H (izquierda) del conector bifásico puede cambiarse al positivo de la batería, o el terminal L (derecha) del conector bifásico puede cambiarse al negativo de la batería (o al chasis de un vehículo, por ejemplo).

Diagnóstico LED

Véase la sección 3.3

Para transferir la carga a otra fuente CA: el conmutador de transferencia automático

Para nuestros inversores de menor potencia recomendamos nuestro conmutador de transferencia automático Filax. El tiempo de conmutación del "Filax" es muy corto (menos de 20 milisegundos), de manera que los ordenadores y demás equipos electrónicos continuarán funcionando sin interrupción. Como alternativa, utilice un MultiPlus con interruptor de transferencia incorporado.

3. FUNCIONAMIENTO

3.1 Pulsador On/Off

Al poner el conmutador en "on" con el pulsador, el producto es plenamente operativo. El inversor se pondrá en marcha y el LED "inverter" se encenderá. Si posteriormente se pulsa el pulsador, en un breve periodo de tiempo, el inversor cambiará entre "on", "ECO" y "off". El inversor se pondrá en modo de suspensión, con un mínimo de consumo eléctrico, cuando la unidad se apague mediante el pulsado.

Aparte del botón, el inversor también puede encenderse (normal o ECO) y apagarse por Bluetooth en un dispositivo móvil con iOS o Android y la aplicación VictronConnect. Sin embargo, cuando se apaga por Bluetooth o con el botón, la unidad no puede volver a encenderse y apagarse a través del puerto VE.Direct con cable.

Conmutador On/Off (sólo 5 kVA)

La unidad de 5 kVA dispone de un interruptor principal de encendido apagado junto a las entradas de cables en la parte derecha. Al apagar la unidad con este interruptor se cortará completamente la corriente de alimentación.

3.2 Control remoto

Es posible utilizar un control remoto con un interruptor on/off sencillo o con el panel de control del inversor Phoenix. Se puede conectar un interruptor de control remoto (on/off) a un conector bifásico. El interruptor también puede conectarse entre el positivo de la batería y el contacto de la izquierda del conector bifásico (marcado con la letra "H"; véase el apéndice A) o entre el negativo de la batería y el contacto de la derecha del conector bifásico (marcado con la letra "L"; véase el apéndice A).

Por motivos de seguridad, este producto puede apagarse completamente (es decir, de modo que el inversor no puede encenderse con el botón o por Bluetooth), retirando el conector remoto y el correspondiente puente instalado por defecto (o apagando el interruptor de encendido/apagado remoto si está instalado). El usuario puede tener entonces la seguridad de que otro usuario no puede encender el inversor por accidente a través del Bluetooth de forma inesperada.



3.3 Significado de los LED

LED verde		Estado	Resolución de problemas
●●●●●●●●	Encendido fijo	Inverter on	LED Rojo apagado estado OK LED rojo encendido o parpadeando: El inversor sigue encendido, pero se apagará si la condición empeora Ver el motivo del aviso en la tabla de LED rojo
●●-----	Parpadeo sencillo lento	Modo ECO	Si el inversor se enciende y apaga continuamente con una carga conectada, puede que la carga sea demasiado pequeña para el ajuste actual del modo ECO. Incremente la carga o cambie los parámetros del modo ECO. (ajuste mínimo del modo ECO: 15W)
●-●-----	Parpadeo doble rápido	Apagado y en espera	El inversor se ha apagado para su protección. El inversor se reiniciará automáticamente tan pronto como se eliminen todas las condiciones de alarma. Ver el motivo por el que se ha apagado en el estado del LED rojo.
-----	Off	Inversor apagado	LED rojo apagado Compruebe el conector On/Off remoto. Compruebe las conexiones del cable CC y los fusibles. Compruebe el modo operativo pulsando el pulsador una vez. LED rojo encendido o parpadeando El inversor se ha apagado debido para su protección. Ya no se reiniciará automáticamente. El LED rojo indica el motivo por el que se ha apagado. Solucione el error y reinicie el inversor poniendo el interruptor en Off y de nuevo en On.
●-●-●-●-		Apagado y actualización de firmware en progreso o fallida.	Parpadeo del LED rojo (-●-●-●-●) Actualización de firmware en progreso o actualización de firmware fallida. Si falla, volver a intentar la actualización de firmware.

LED amarillo		Estado	Resolución de problemas
●●●●●●●●	Encendido fijo	Modo ECO	LED Rojo apagado estado OK LED rojo encendido o parpadeando: El inversor sigue encendido, pero se apagará si la condición empeora Ver el motivo del aviso en la tabla de LED rojo
-----	Off	Modo ECO off	LED rojo apagado Compruebe el modo operativo pulsando el pulsador una vez. Compruebe el conector On/Off remoto. Compruebe las conexiones del cable CC y los fusibles. LED rojo encendido o parpadeando El inversor se ha apagado debido para su protección. Ya no se reiniciará automáticamente. El LED rojo indica el motivo por el que se ha apagado. Solucione el error y reinicie el inversor poniendo el interruptor en Off y de nuevo en On.

LED Rojo		Definición	Resolución de problemas
●●●●●●●●	Encendido fijo	Overload	Reduzca la carga
●●●●-----	Parpadeo lento	Batería	Recargue o sustituya la batería

		baja	Compruebe las conexiones del cable CC. Compruebe la sección del cable, ya que puede ser insuficiente. Consulte en la sección 4.2 Protecciones y reinicios automáticos los detalles sobre los reinicios manual y automático.
●-●-●-●-	Parpadeo rápido	Batería alta	Reduzca la tensión de entrada CC, compruebe que el cargador no tenga algún fallo
●-●-●-●-●	Parpadeo doble	Temperatura alta	Reduzca la carga y/o coloque el inversor en un sitio mejor ventilado
●-●-●-●-●	Parpadeo sencillo rápido	Tensión de ondulación CC alta	Compruebe las conexiones del cable CC y la sección del cable.

3.4 Protecciones y reinicios automáticos

Overload

Algunas cargas, como motores o bombas, requieren elevadas cantidades de corriente de entrada cuando tienen que arrancar. En tales circunstancias, es posible que la corriente de arranque exceda la tensión de conmutación de red del inversor. En este caso, la tensión de salida disminuirá rápidamente para limitar la corriente de salida del inversor. Si se excede continuamente la tensión de conmutación, el inversor se apagará: espere 30 segundos y reinicie.

Después de tres reinicios, seguidos de otra desconexión producida por sobrecarga en los 30 segundos siguientes al reinicio, el inversor se apagará y permanecerá apagado. Los LED señalarán desconexión por sobrecarga. Para reiniciar el inversor, ponga el interruptor en Off y de nuevo en On.

Tensión baja de la batería (ajustable)

El inversor se apagará cuando la tensión de entrada CC caiga por debajo del nivel de desconexión por tensión baja de la batería. Tras un intervalo mínimo de 30 segundos, el inversor se reiniciará si la tensión sube por encima del nivel de reinicio por tensión baja de la batería.

Después de tres reinicios, seguidos de una desconexión producida por tensión baja de la batería en los 30 segundos siguientes al reinicio, el inversor se apagará y no volverá a intentarlo. Los LED señalarán desconexión por tensión baja de la batería. Para reiniciar el inversor, ponga el interruptor en Off y de nuevo en On, o recargue la batería: tan pronto como la batería alcance el nivel de detección de carga y permanezca por encima de este durante 30 segundos, se activará.

Consulte en la tabla de Información técnica los niveles predeterminados de desconexión y reinicio por tensión baja de la batería. Pueden modificarse con la app VictronConnect.

Tensión alta de la batería

Reduzca la tensión de entrada CC y/o compruebe que no haya una batería o cargador solar defectuoso en el sistema. Después de que se produzca la desconexión por tensión alta de la batería, el inversor primero esperará 30 segundos y después volverá a intentar ponerse en marcha tan pronto como la tensión de la batería haya bajado a un nivel aceptable. El inversor no permanecerá apagado después de múltiples reintentos.

Temperatura alta

Una temperatura ambiente alta o soportar grandes cargas podría provocar la desconexión por temperatura alta. El inversor se reiniciará pasados 30 segundos. El inversor no permanecerá apagado después de múltiples reintentos. Reduzca la carga y/o coloque el inversor en un sitio mejor ventilado

Tensión de ondulación CC alta

La tensión de ondulación CC alta viene dada normalmente por conexiones flojas del cable CC y/o por cables CC demasiado finos. Después de que el inversor se haya desconectado por tensión de ondulación CC alta, volverá a reiniciarse pasados 30 segundos.

Después de tres reinicios, seguidos de una desconexión producida por tensión de ondulación CC alta en los 30 segundos siguientes al reinicio, el inversor se apagará y no volverá a intentarlo. Para reiniciar el inversor, ponga el interruptor en Off y de nuevo en On.

Una tensión de ondulación CC alta prolongada reduce la vida útil del inversor.

4. INSTALACIÓN



El producto deberá ser instalado por un electricista cualificado.



Durante la instalación, asegúrese de que se retira el conector remoto con puente (o apague el interruptor de encendido/apagado remoto si está instalado) para estar seguro de que el inversor no puede encenderse de forma inesperada.

4.1 Ubicación

El producto debe instalarse en una zona seca y bien ventilada, tan cerca como sea posible de las baterías. Debe dejarse un espacio de al menos 10cm. alrededor del aparato para refrigeración.



Una temperatura ambiente demasiado alta tendrá como resultado:
 Una menor vida útil.
 Una menor corriente de carga.
 Una menor capacidad de pico, o que se apague el inversor.
 Nunca coloque el aparato directamente sobre las baterías.

El producto está pensado para montarse en la pared. Para instrucciones sobre su montaje, consulte el Apéndice A. El aparato puede montarse horizontalmente o verticalmente, aunque es preferible el montaje vertical. Se refrigera mucho mejor en esta posición.



La parte interior del producto debe quedar accesible tras la instalación.

Intente que la distancia entre el producto y la batería sea la menor posible para minimizar la pérdida de tensión por los cables.



Por motivos de seguridad, este producto deberá instalarse en un entorno resistente al calor si se utiliza con equipos en los que se va a convertir una cantidad de electricidad importante. Debe evitarse en su proximidad la presencia de productos químicos, componentes sintéticos, cortinas u otros textiles, etc.

4.2 Conexión de los cables de batería

Para utilizar la capacidad del producto en su totalidad deben utilizarse baterías con capacidad suficiente y cables de batería de sección adecuada. Consulte la tabla.

	12/1600	24/1600	48/1600	12/2000	24/2000	48/2000
Fusible recomendado	250A	125A	60A	300A	150A	80A
Sección de cable recomendada (mm ²)						
0 - 5 m	70	35	16	70	50	25
5 - 10 m	No recomendado	70	25	No recomendado	95	50

	12/3000	24/3000	48/3000	24/5000	48/5000
Fusible recomendado	400A	250A	125	400A	200A
Sección de cable recomendada (mm ²)					
0 - 5 m	2x 95*	1x 50	1x 35	2x 95*	1x 70
5 - 10 m	No recomendado	2x 50	2x 35	2x 95	2x 70

	12/1600	24/1600	48/1600	12/2000	24/2000	48/2000
Capacidad de batería recomendada (Ah)	300 - 800	150 - 400	75 - 200	350 - 1000	200 - 500	100 - 250

	12/3000	24/3000	48/3000	24/5000	48/5000
Capacidad de batería recomendada (Ah)	400 - 1200	200 - 700	100 - 400	300 - 1500	150 - 700

Observación: La resistencia interna es el factor determinante al trabajar con baterías de poca capacidad. Consulte a su proveedor o las secciones relevantes de nuestro libro "Electricidad a Bordo", que puede descargarse de nuestro sitio web.

Procedimiento

Conecte los cables de batería de la manera siguiente:



Utilice una llave de tubo aislada para no cortocircuitar la batería.
Evite que los cables de la batería entren en contacto.

Conecte los cables de la batería: el + (rojo) y el – (negro), a la batería; ver Apéndice A.
Si se conectan los cables al revés (+ a – y – a +) se podría dañar el producto.
Apriete bien las tuercas para reducir la resistencia del contacto todo lo posible.

4.3 Conexión del cableado CA

Este producto es un dispositivo de clase de seguridad I (suministrado con terminal de puesta a tierra).



El cable neutro de la salida CA de este inversor está conectado al chasis (ver apéndice B para 1600VA/2000VA y apéndice C para 3000VA/5000VA).

Con esto se garantiza el funcionamiento correcto del GFCI (o RCCB) que deberá instalarse en la salida AC del inversor.

El chasis de este producto debe conectarse a tierra, al chasis (de un vehículo) o a una placa de toma de tierra o al casco (de un barco).

Procedimiento

Los terminales están claramente indicados. De izquierda a derecha: "L" (fase), "N" (neutro) y "PE" (tierra).

4.4 Opciones de conexión

Existen varias opciones de conexión distintas:

4.4.1 Panel de control remoto y conmutador on/off remoto

El producto puede manejarse de forma remota de tres maneras:

- Con un smartphone (iOS o Android) y la app VictronConnect.
- Con un interruptor externo (conectado al conector remoto bifásico). Sólo funciona si el conmutador del inversor está en "on".
- Con el panel de control del inversor Phoenix (conectado al conector remoto bifásico, ver apéndice A). Sólo funciona si el conmutador del inversor está en "on".

4.4.2. Relé programable

Los inversores disponen de un relé multifuncional que está programado por defecto en el modo de funcionamiento normal. (Se necesita el software VictronConnect para cambiar la función del relé). Los diferentes modos del relé pueden resumirse como sigue:

- Funcionamiento normal ("inversor" en la aplicación VictronConnect) – por defecto
Relé cerrado durante el funcionamiento normal y abierto cuando el inversor se ha apagado solo por una alarma, ha sido apagado por un usuario y también abierto (por supuesto) cuando no hay energía disponible en las conexiones, por ejemplo, porque la batería está desconectada. En el modo ECO, el relé estará cerrado cuando esté buscando una carga y cuando esté totalmente activo, por ejemplo, carga detectada.
Use esta opción cuando quiera que el relé para indique si hay alimentación disponible en la salida del inversor.
- Avisos y alarmas ("alarma" en la aplicación VictronConnect)
Similar a la anterior, pero en este caso el relé también se abrirá cuando haya un aviso. Por ejemplo, si la tensión de la batería ha caído hasta el valor de corte o cuando se ha cargado hasta un punto en que casi se va a apagar por sobrecarga. En el modo ECO, el relé estará cerrado cuando esté buscando (sin carga) y cuando esté totalmente activo (carga detectada), excepto si hay un aviso.
Use esta opción cuando quiera que el relé le indique que es el momento de hacer algo (cargar la batería, reducir la carga, etc.) para evitar un corte del suministro eléctrico.
- Batería baja ("batería baja" en la aplicación VictronConnect)
Relé encendido durante el funcionamiento normal. El relé se apagará cuando haya un aviso de batería baja. Permanecerá apagado en caso de que el inversor se apague debido a tensión baja, y solo volverá a encenderse una vez que el inversor esté operativo y la tensión de la batería esté por encima del nivel de reajuste prealarma. Use esta opción para el deslastre de cargas y para arrancar un generador de forma automática. Tenga en cuenta que esto solo puede considerarse como un sustituto del arranque/encendido del generador. Aquí puede consultar más y mejores opciones.
- Ventilador externo ("ventilador" en la aplicación VictronConnect)
El relé está apagado a menos que el ventilador del interior del inversor esté funcionando. Use esta opción para encender un ventilador externo, en situaciones en las que el inversor esté en un espacio cerrado pequeño.
- Relé desactivado ("off" en la aplicación VictronConnect)
Esta opción coloca el relé en la posición OPEN (abierto). Use esta opción si no piensa usar la función de relé.

5. CONFIGURACIÓN



Los ajustes sólo puede modificarlos un ingeniero cualificado.
Lea las instrucciones detenidamente antes de realizar cambios.
Las baterías deberán colocarse en un lugar seco y bien ventilado durante la carga.

5.1 Valores estándar: listo para usar

El inversor Phoenix se entrega con los valores estándar de fábrica. Por lo general, estos valores son adecuados para el funcionamiento autónomo de la unidad.

Valores estándar de fábrica

Frecuencia del inversor	50 Hz
Tensión del inversor	230 V CA
Modo de búsqueda	off
Relé programable	función de alarma
Desconexión dinámica	off

5.2 Explicación de los ajustes

Frecuencia del inversor

Frecuencia de salida
Ajustabilidad: 50Hz; 60Hz

Tensión del inversor

Ajustabilidad: 210 – 245V

Modo ECO

Si el modo ECO está activado, el consumo en funcionamiento sin carga disminuye aproximadamente en un 80...90%. En este modo el Phoenix Inverter Smart, cuando funciona en modo inversor, se apaga si no hay carga o si hay muy poca, y se vuelve a conectar cada dos segundos y medio durante un breve periodo de tiempo (ajustable). Si la corriente de salida excede un nivel preestablecido, el inversor seguirá funcionando. En caso contrario, el inversor volverá a apagarse.

El modo ECO puede activarse mediante el pulsador del panel frontal del inversor.

Los niveles de carga "shut down" (apagar) y "remain on" (permanecer encendido) del Modo ECO pueden configurarse mediante la app VictronConnect.

Los ajustes de fábrica son:

Apagar: 50 Vatios (carga lineal).

Encender: 100 Vatios (carga lineal).

Relé programable

El relé programable está configurado de forma predeterminada como relé de alarma, es decir, el relé se desenergizará en caso de alarma o alarma previa (el inversor está demasiado caliente, la ondulación de la entrada es casi demasiado alta y la tensión de la batería está demasiado baja).

Desconexión dinámica

Utilice la aplicación VictronConnect para habilitar y configurar la Desconexión dinámica (consulte los detalles en

<https://www.victronenergy.com/live/ve.direct:phoenix-inverters-dynamic-cutoff>).

No utilice la Desconexión dinámica en una instalación que también tenga otras cargas conectadas a la misma batería: la tensión de la batería descenderá debido a la carga adicional, pero el algoritmo de Desconexión dinámica del inversor no lo sabrá; por lo tanto, el inversor se apagará prematuramente al dispararse la alarma por tensión baja.

5.3 Configuración por ordenador

Todos los ajustes pueden cambiarse mediante un smartphone, tableta u ordenador.

Para cambiar los parámetros con un smartphone o tableta, se necesita lo siguiente:

- La aplicación VictronConnect, que puede descargarse gratuitamente en www.victronenergy.com.

Para cambiar los parámetros con el ordenador, se necesita lo siguiente:

- La aplicación VictronConnect: que puede descargarse gratuitamente en www.victronenergy.com.
- Una interfaz VE.Direct a USB.

6. MANTENIMIENTO

El inversor Phoenix Smart no necesita un mantenimiento específico. Bastará con comprobar todas las conexiones una vez al año. Evite la humedad y la grasa, el hollín y el vapor y mantenga limpio el equipo.

7. Información técnica

Inversor Phoenix Smart	12/1600 24/1600 48/1600	12/2000 24/2000 48/2000	12/3000 24/3000 48/3000	24/5000 48/5000
Funcionamiento en paralelo y en trifásico	No			
INVERSOR				
Rango de tensión de entrada (1)	9.3 – 17 V 18.6 – 34 V 37.2 – 68 V			
Salida	Tensión de salida: 230 VCA ±2% 50 Hz o 60 Hz ± 0.1% (1)			
Potencia cont. de salida a 25 °C (2)	1600 VA	2000 VA	3000 VA	5000 VA
Potencia cont. de salida a 25 °C	1300 W	1600 W	2400 W	4000 W
Potencia cont. de salida a 40 °C	1200 W	1450 W	2200 W	3700 W
Potencia cont. de salida a 65 °C	800 W	1000 W	1700 W	2800 W
Pico de potencia	3000 W	4000 W	6000 W	10000 W
Desconexión dinámica (según carga) por CC baja (totalmente ajustable)	Desconexión dinámica, ver https://www.victronenergy.com/live/ve.direct:phoenix-inverters-dynamic-cut-off			
Eficacia máx. 12 / 24 / 48 V	92 / 94 / 94%	92 / 94 / 94%	93 / 94 / 95%	95 / 96%
Consumo en vacío 12 / 24 / 48 V	8 / 9 / 11 W	8 / 9 / 11 W	12 / 13 / 15 W	18 / 20 W
Consumo en vacío en modo ECO	0.6 / 1.3 / 2.1 W	0.6 / 1.3 / 2.1 W	1.5 / 1.9 / 2.8 W	2.2 / 3.2 W
GENERAL				
Relé programable (2)	Sí			
Potencia de parada y arranque modo-ECO	ajustable			
Protección (3)	a – g			
Comunicación inalámbrica por Bluetooth	Para monitorización remota e integración del sistema			
Puerto de comunicación VE.Direct	Para monitorización remota e integración del sistema			
On/Off remoto	Sí			
Características comunes	Temperatura de trabajo: -40 a +65°C (refrigerado por aire) Humedad (sin condensación): max 95%			
CARCASA				
Características comunes	Material y color: acero (azul RAL 5012; y negro RAL 9017) Categoría de protección: IP 21			
Conexión de la batería	Pernos M8	Pernos M8	12 V/24 V: 2+2 Pernos M8 48 V: Pernos M8	24 V: 2+2 Pernos M8 48 V: Pernos M8
Conexión 230 V CA	Bornes de tornillo			
Peso	12kg	13kg	19kg	29kg / 28kg
Dimensiones (al x an x p)	485 x 219 x 125mm	485 x 219 x 125mm	533 x 285 x 150mm (12 V) 485 x 285 x 150mm (24 V/48 V)	595 x 295 x 160mm (24 V) 555 x 295 x 160mm (48 V)
NORMAS				
Seguridad	EN 60335-1			
Emisiones/Inmunidad	EN 55014-1 / EN 55014-2/ IEC 61000-6-1 / IEC 61000-6-2 / IEC 61000-6-3			
Directiva de automoción	ECE R10-5			
1) Carga no lineal, factor de cresta 3:1 2) Relé programable que puede configurarse, entre otros, como alarma general, subtensión CC o señal de arranque/parada para el generador. Capacidad nominal CA: 230 V/3 A Capacidad nominal CC: 3 A hasta 30 V CC, 0,2 A hasta 70 V CC	3) Claves de protección: a) cortocircuito de salida b) sobrecarga c) tensión de la batería demasiado alta d) tensión de la batería demasiado baja e) temperatura demasiado alta f) 230 V CA en salida del inversor g) ondulación de la tensión de entrada demasiado alta			

EN

NL

FR

DE

ES

SE

Appendix

1. SÄKERHETSINSTRUKTIONER

Allmänt

Bekanta dig med säkerhetsegenskaperna och instruktionerna genom att först läsa dokumentationen som medföljer denna växelriktare innan du börjar använda utrustningen. Produkten är utvecklad och testad i enlighet med internationella standarder. Utrustningen får användas enbart för det ändamål för vilket den har konstruerats.

VARNING: RISK FÖR ELEKTRISKA STÖTAR.

Produkten används i tillsammans med en permanent strömkälla (batteri). Ingångs och/eller utgångsterminalerna kan fortfarande vara farligt strömförande även när utrustningen är avstängd. Stäng alltid av batteriet innan något underhållsarbete utförs.

Produkten innehåller inga interna delar som kan servas av användaren. Ta inte bort frontpanelen och använd inte växelriktaren om någon av panelerna har tagits bort. All service måste utföras av kvalificerad personal.

Använd aldrig enheten där det finns risk för gas eller dammexplosioner. Ta del av information från batteritillverkaren för att säkerställa att växelriktaren är avsedd för användning tillsammans med batteriet. Följ alltid batteritillverkarens säkerhetsinstruktioner..

VARNING: Lyft inte tunga laster utan hjälp.

Installation

Läs installationsinstruktionerna i installationshandboken före installation av utrustningen.

Detta är en produkt av säkerhetsklass I (som levereras med en skyddande jordterminal). **Höljet måste vara jordat.** En extra jordningspunkt återfinns på produktens utsida. När det är möjligt eller troligt att jordskyddet har skadats, måste växelriktaren stängas av och säkras mot oavsiktlig igångsättning och kvalificerad servicepersonal måste kontaktas.

Säkerställ att DC- och AC-ingångskablarna är säkrade och utrustade med kretsbrytare. **Det finns ingen intern säkring i den här produkten.** Ersätt aldrig en säkerhetskomponent med någon annan typ av säkerhetskomponent. Kontrollera i användarhandboken att det är rätt komponent.

Under installationen, se till att fjärrkontakten med kabelbrygga är bortkopplad (eller stäng av den installerade av/på-brytaren för fjärrstyrning) för att säkerställa att växelriktaren inte startas oväntat.

Före inkoppling kontrollera att den tillgängliga spänningskällan motsvarar växelriktarens konfigurationsinställningar enligt beskrivning i användarhandboken.

Förvissa dig om att utrustningen används under korrekta omgivningsförhållanden. Använd aldrig växelriktaren i våta eller dammiga miljöer. Se till att det finns ordentligt fritt utrymme (10 cm) för ventilation runt enheten och kontrollera att ventilerna inte är blockerade.

Kontrollera att erforderlig systemspänning inte överskrider växelriktarens kapacitet.

Transport och förvaring

Kontrollera att huvudanslutningarna och batterikablarna har kopplats bort innan förvaring eller transport av produkten utförs.

Något ansvar accepteras inte för transportskadorna om utrustningen transporteras i annat än originalförpackningen.

Förvara växelriktaren i torr miljö; lagringstemperaturen måste hållas mellan -20°C and 60°C.

Rådfråga batteritillverkarens användarhandbok med avseende på transport, förvaring, laddning, underhållsladdning och bortforsling av batteri.

2. BESKRIVNING

2.1 Allmänt

Inbyggd Bluetooth: fullt konfigurerbar med en surfplatta eller smarttelefon

- Larmtröskel för låg batterispänning och återställningsnivå
- Avstängning vid låg batterispänning och omstartsnivå
- Dynamisk avstängning: belastningsberoende avstängningsnivå
- Utgångsspänning: 210 - 245V
- Frekvens: 50 Hz eller 60 Hz
- ECO-läge av/på och ECO-läge sensornivå
- Larmrelä

Övervakning:

- In- och utgångsspänning, % belastning och larm

Se [handboken för VictronConnect](#) för mer information.

VE.Direct kommunikationsport

VE-Direct-porten kan kopplas till en dator (VE.Direct till USB-gränssnittskabel krävs) för att konfigurera och övervaka samma parametrar.

Bevisad pålitlighet

Helvågs- samt toroidala transformatortopologin har visat sig vara pålitlig under många år.

Växelriktarna är skyddade mot kortslutning och överhettning, vare sig det beror på överbelastning eller hög omgivningstemperatur.

Hög starteffekt

Krävs för att starta belastningar som strömomvandlare till LED-lampor, halogenlampor eller elektriska verktyg.

Eco-läge

När växelriktaren är i ECO-läge slår den över till standby när belastningen sjunker under ett förinställt värde (lägsta tillkopplingsläge för belastning: 10 VA och lägsta fränkopplingsläge 0 VA). Väl i standby-läge kommer växelriktaren att slås i kortare perioder (justerbart, standard: varje 3:e sekund). Om belastningen överstiger en förinställd nivå kommer växelriktaren att fortsätta att vara på.

Fjärrstyrning på/av

Det är möjligt att koppla en av/på-brytare för fjärrstyrning eller ett relä till ett tvåpoligt anslutningsdon.

Alternativt kan H-terminalen (vänster) på det tvåpoliga anslutningsdonet växlas till batteriets plus eller så kan L-terminalen (höger) på det tvåpoliga anslutningsdonet växlas till batteriets minus (eller t.ex. ett fordonschassi).

LED-diagnos

Se avsnitt 3.3

För överföring av belastningen till en annan AC-källa: den automatiska överkopplingsbrytaren

För våra lågeffektsväxelriktare rekommenderar vi vår överkopplingsbrytare Filax Automatic Transfer Switch. Filax har en väldigt kort överkopplingsstid (mindre än 20 millisekunder) så datorer och annan elektronisk utrustning kommer att fortsätta att fungera utan avbrott. Alternativt kan man använda en MultiPlus med inbyggd överkopplingsbrytare.

3. ANVÄNDNING

3.1 Tryckknapp På/Av

När produkten ändras till "på", med tryckknappen är den fullt funktionsduglig. Växelriktaren kommer att aktiveras och LED-lampan "växelriktare" kommer att tändas. Om du därefter trycker på tryckknappen kommer växelriktaren efter en kort stund att växla mellan "på", "ECO" och "av". Växelriktaren går in i viloläge med minimal strömförbrukning när enheten stängs av med tryckknappen.

Förutom tryckknappen, kan växelriktaren också slås på (normal eller ECO) och av med Bluetooth på en mobil enhet med iOS eller Android och appen VictronConnect. Om den slås av via Bluetooth eller med tryckknappen kan enheten **inte** slås på och av igen med den kabelanslutna VE.Direct-porten.

På/Av-brytare (endast 5 kVA)

5 kVA-enheten har en huvudbrytare för Av/På bredvid kabelgångarna på höger sida. När den här brytaren är avstängd bryts strömmen helt.

3.2 Fjärrstyrning

Fjärrstyrning är möjlig med en enkel på/av-brytare eller med en kontrollpanel, Control Panel, för Phoenix växelriktare. Det är möjligt att koppla en brytare för fjärrstyrning (av/på) på ett tvåpoligt anslutningsdon. Brytaren kan också kopplas mellan batteriets plus och den vänstra kontakten på det tvåpoliga anslutningsdonet (markerad med **H**, se bilaga A) eller mellan batteriets minus och den högra kontakten på det tvåpoliga anslutningsdonet (markerad med **L**, se bilaga A).



Av säkerhetsskäl kan denna product stängas av helt (dvs växelriktaren kan inte slås på med tryckknappen eller via Bluetooth) genom att ta bort fjärrkontakten och den fabriksinstallerade kabelbrygga (eller ställa in fjärrbrytaren på av om det finns en sådan installerad). Användaren kan då vara säker på att växelriktaren inte kan slås på av misstag via Bluetooth av en annan oväntad användare.

3.3 LED-definitioner

Grön LED:		Status	Felsökning
●●●●●●●●	Fast på	<i>Växelriktare på</i>	Röd LED av status OK Red LED på eller blinkar: Växelriktare när fortfarande på men kommer att stängas av om villkoren försämrats. Se tabellen för röd LED för varningsorsaker-
●●-----	Långsam enkel puls	<i>Eco-läge</i>	Om växelriktaren fortsätter att slås på och av medan det finns en ansluten belastning kan det bero på att belastningen är för liten jämfört med de nuvarande inställningarna för ECO-läge. Öka belastningen eller ändra inställningarna för ECO-läge. (Lägsta inställning för ECO-läge: 15 W)
●-●-----	Snabb dubbel puls	<i>Av och i vänteläge</i>	Växelriktaren har slagits av som skyddsåtgärd. Den kommer att starta om så fort alla larmsituationer är avhjälpta. Se status för röd LED för avstängningsorsaker.
-----	Av	<i>Växelriktare av</i>	Röd LED av Kontrollera på/av-fjärrstyrningskontakten. Kontrollera DC-kabelanslutningar och säkringar. Kontrollera driftläge genom att trycka på tryckknappen en gång. Röd LED på eller blinkar Växelriktaren har slagits av som skyddsåtgärd. Den kommer inte att startas om automatiskt. Den röda LED-lampan indikerar orsaken till avstängning. Avhjälpe felet och starta om växelriktaren genom att stänga av den och sedan på igen.
●●●●●●	Blinkar snabbt	<i>Av och uppdaterig av fast programvara pågår eller har misslyckats</i>	Röd LED blinkar (●-●-●-●-●) Uppdaterig av fast programvara pågår eller har misslyckats. Vid misslyckande, försök igen.

Gul LED		Status	Felsökning
●●●●●●●●	Fast på	Eco-läge	Röd LED av status OK Red LED på eller blinkar: Växelriktare när fortfarande på men kommer att stängas av om villkoren försämrats. Se tabellen för röd LED för varningsorsaker-
-----	Av	ECO-läge av	Röd LED av Kontrollera driftläge genom att trycka på tryckknappen en gång. Kontrollera på/av-fjärrstyrningskontakten. Kontrollera DC-kabelanslutningar och säkringar. Röd LED på eller blinkar Växelriktaren har slagits av som skyddsåtgärd. Den kommer inte att startas om automatiskt. Den röda LED-lampan indikerar orsaken till avstängning. Avhjälpe felet och starta om växelriktaren genom att stänga av den och sedan på igen.

Röd LED		Definition	Felsökning
●●●●●●●●	Fast på	Överbelastning	Minska belastning
●●●●---	Blinkar långsamt	Lågt batteri	Ladda eller byt batteri Kontrollera DC-kabelanslutningar. Kontrollera kabeltvärsnittet eftersom det kan vara otillräckligt. Se avsnitt 4.2 Skydd och automatiks omstart, för manuell och automatisk omstart.
●-●-●-●-	Blinkar snabbt	Högt batteri.	Minska DC-ingångsspänningen, kontrollera om laddaren är felaktig.
●-●-●-●-	Dubbel puls	Hög temperatur.	Minska belastning och/eller flytta växelriktaren till en bättre ventilerad plats.
●-●-●-●-	Snabb enkel puls	Hög DC-brum	Kontrollera DC-kabelanslutningarna och kabeltvärsnitt.

3.4 Skydd och automatisk omstart

Överbelastning

Vissa belastningar som motorer eller pumpar drar stora inkopplingsströmmar i uppstartningen. Under sådana omständigheter är det möjligt att uppstartningsströmmen överskrider den aktuella utlösningsnivån hos växelriktaren. I detta fall kommer utgångsspänningen att snabbt minska för att begränsa utgångsströmmen från växelriktaren. Om den aktuella utlösningsnivån överskrider kontinuerligt kommer växelriktaren att stänga av och vänta 30 sekunder för att sen starta om.

Efter tre omstartningar som följs av ytterligare överbelastning inom 30 sekunder kommer växelriktaren att stängas av helt. LED-lamporna kommer att signalera avstängning på grund av överbelastning. För att starta om växelriktaren måste du stänga av den och sedan slå på den igen.

Låg batterispänning (justerbart)

Växelriktaren kommer att stängas av när DC-ingångsspänningen sjunker under nivån för avstängning vid lågt batteri. Efter en fördröjning på minst 30 sekunder kommer växelriktaren att starta på nytt om spänningen stiger över nivån för omstart vid lågt batteri.

Efter tre omstartningar följda av avstängning på grund av lågt batteri inom 30 sekunder efter omstarten kommer växelriktaren att stängas av helt och sluta försöka. LED-lamporna kommer att signalera avstängning på grund av lågt batteri. För att starta om växelriktaren kan du ställa in den på av och sedan på, eller ladda batteriet. Så fort batteriet har laddats upp och håller sig över den inställda laddningsnivån i 30 sekunder kommer växelriktaren att slås på.

Se tabellen med teknisk data för standardinställningen för avstängning vid lågt batteri och omstartsnivåer. Värdena kan anpassas med appen VictronConnect.

Hög batterispänning

Minska DC-ingångsspänningen och/eller kolla efter en felaktig batteri- eller solcellsladdare i systemet. Efter avstängning på grund av hög batterispänning kommer växelriktaren först att vänta 30 sekunder och sen försöka att återuppta driften så fort batterispänningen har sjunkit till en godtagbar nivå. Växelriktaren kommer inte att förbli avstängd efter ett flertal försök.

Hög temperatur

En hög omgivningstemperatur eller varaktiga belastningar kan leda till avstängning på grund av övertemperatur. Växelriktaren kommer att starta om efter 30 sekunder. Växelriktaren kommer inte att förbli avstängd efter ett flertal försök. Minska belastningen och/eller flytta växelriktaren till en bättre ventilerad plats.

Hög DC-brumspänning

Hög DC-brumspänning beror oftast på lösa kabelanslutningar och/eller för smala DC-kablar. Efter att växelriktaren har stängts av på grund av hög DC-brumspänning väntar den 30 sekunder och startar sen om.

Efter tre omstartningar som följs av ytterligare avstängning på grund av för hög DC-brumspänning inom 30 sekunder efter omstart kommer växelriktaren att stängas av helt och sluta försöka. För att starta om växelriktaren kan du ställa in den på av och sedan på,

Kontinuerlig hög DC-brumspänning förkortar växelriktarens förväntade livslängd.

4. INSTALLATION



Växleriktaren måste installeras av en kvalificerad elektriker.



Under installationen, se till att fjärrkontakten med kabelbrygga är bortkopplad (eller stäng av den installerade av/på-brytaren för fjärrstyrning) för att säkerställa att växelriktaren inte startas oövat.

4.1 Placering

Produkten måste installeras på en torr och välventilerad plats, så nära batterierna som möjligt. Det bör finnas ett fritt utrymme på minst 10cm runt apparaten för avkylning.



För hög omgivningstemperatur kommer att leda till följande:
 Reducerad livslängd
 Reducerad laddningsström.
 Reducerad toppkapacitet eller nedstängning av växelriktaren.
 Installera aldrig växelriktaren direkt ovanpå batterierna.

Produkten passar för väggmontering. För montering, se bilaga A. Applikationen kan monteras horisontalt eller vertikalt, vertikal montering är att föredra. Den vertikala installationen erbjuder optimal kylning.



Produktens insida måste förbli åtkomlig efter installationen.

Försök att hålla avståndet mellan produkten och batteriet till ett minimum för att minimera kabelspänningsförluster.



Av säkerhetsskäl bör växelriktaren installeras i en värmeständig miljö om den används tillsammans med utrustning där en avsevärd mängd kraft skall konverteras. Du bör förhindra närvaron av exempelvis kemikalier, syntetiska komponenter, gardiner eller andra textilier m.m. i den omedelbara närheten.

4.2 Anslutning av batterikablar

För att utnyttja produktens fulla kapacitet, bör batterier med tillräcklig kapacitet och batterikablar med tillräckligt tvärsnitt användas. Se tabell.

	12/1600	24/1600	48/1600	12/2000	24/2000	48/2000
Rekommenderad säkring	250A	125A	60A	300A	150A	80A
Rekommenderat tvärsnitt (mm ²)						
0 - 5 m	70	35	16	70	50	25
5 - 10 m	rekommenderas inte	70	25	rekommenderas inte	95	50

	12/3000	24/3000	48/3000	24/5000	48/5000
Rekommenderad säkring	400A	250A	125	400A	200A
Rekommenderat tvärsnitt (mm ²)					
0 - 5 m	2x 95*	1x 50	1x 35	2x 95*	1x 70
5 - 10 m	rekommenderas inte	2x 50	2x 35	2x 95	2x 70

	12/1600	24/1600	48/1600	12/2000	24/2000	48/2000
Rekommenderad batterikapacitet (Ah)	300 - 800	150 - 400	75 - 200	350 - 1000	200 - 500	100 - 250

	12/3000	24/3000	48/3000	24/5000	48/5000
Rekommenderad batterikapacitet (Ah)	400-1200	200 - 700	100 - 400	300 - 1500	150 - 700

Anmärkning: Internt motstånd är den viktiga faktorn när man arbetar med batterier med låg kapacitet. Var vänlig rådfråga din leverantör eller relevanta avsnitt i vår bok "Fristående elkraft", som går att ladda ner från vår hemsida.

Procedur

Gör följande för att ansluta batterikablarna:



Använd en isolerad hylsnyckel för att undvika kortslutning av batteriet.
Undvik att kortsluta batterikablarna.

Anslut batterikablarna: + (röd) och - (svart) till batteriet enligt bilaga A.

Anslutning omvänd polaritet (+ till – och – till +) skadar enheten.

Spänn åt muttrarna ordentligt för att reducera kontaktmotståndet så mycket som möjligt.

4.3 Anslutning av AC-kablarna

Detta är en produkt av säkerhetsklass I (som levereras med en skyddande jordterminal).



Den neutrala ledningen på växelriktarens AC-utgång är ansluten till chassit (se bilaga B för 1 600 VA/2 000 VA och bilaga C för 3 000 VA/5 000 VA).

Detta är för att säkerställa korrekt funktion för en GFCI (eller RCCB) som installeras i växelriktarens AC-utgång.

Produktens chassi måste anslutas till jordningen, till ramen (på ett fordon) eller jordplattan eller skrovet (på en båt).

Procedur

Terminalkontakterna anges tydligt. Från vänster till höger: "L" (fas), "N" (neutral), "PE" (jord).

4.4 Extra anslutningar

Ett antal extra anslutningar är möjliga:

4.4.1 Fjärrstyrningsbrytare på/av & fjärrkontrollpanel

Produkten kan fjärrstyras på tre sätt:

- Med en smarttelefon (iOS eller Android) och appen Victron Connect.
- Med en extern brytare (kopplad till det tvåpoliga fjärranslutningsdonet). Fungerar endast om brytaren på växelriktaren är inställd till "på".
- Med en kontrollpanel Phoenix Inverter Control VE.Direct panel (ansluten till ett av de tvåpoliga fjärranslutningsdonen, se bilaga A). Fungerar endast om brytaren på växelriktaren är inställd till "på".

4.4.2 Programmerbart relä

Växelriktarna är utrustade med ett multifungerande relä som är inställt för normaldrift som standard. (VictronConnect-programvaran behövs för att ändra reläets funktion). De olika relälägena kan sammanfattas enligt följande:

- **Normal drift ("växelriktare" i appen VictronConnect) – standard**
Reläet är stängt under normal drift och öppet när växelriktaren har stängts av sig själv vid larm, har stängts av av en användare och det är även öppet (självkärlat) när det inte finns någon ström i terminalerna, dvs batteriet är bortkopplat. I ECO-läge kommer reläet att vara stängt både när enheten söker efter en belastning och när den är fullt på, dvs när en belastning detekteras. Använd det här alternativet när du vill att reläet ska signalera att det finns ström på växelriktarens utgång.
- **Varningar och larm ("larm" i appen VictronConnect)**
Liknande som funktionen ovan, men reläet kommer även att öppnas när det förekommer en varning. Till exempel på grund av att batterispänningen har sjunkit till avstäningsnivån, eller om batteriet är så uppladdat att det nästan stängs av på grund av överladdning. I ECO-läge kommer reläet att vara stängt både när enheten söker (ingen belastning) och när den är fullt på (belastning detekterad), förutom då det förekommer en varning. Använd det här alternativet när du vill att reläet ska signalera att det är dags att göra någonting (ladda batteriet, minska belastningen osv), för att undvika strömavbrott.
- **Lågt batteri ("lågt batteri" i appen VictronConnect)**
Reläet på vid normal drift. Reläet kommer att stängas av när det utfärdas en varning för lågt batteri. Det kommer att fortsätta att vara avstängt om växelriktaren stängs av på grund av låg spänning och kommer endast att slås på igen när växelriktaren åter är i drift och batterispänningen har stigit över återställningsnivån före larm. Använd detta alternativ för belastningsfördelning, eller för att automatiskt starta en generator. Observera att detta endast kan klassas som en start/stopp-funktion för en "fattigmansgenerator". För fler och bättre alternativ, se här.
- **Extern fläkt ("fläkt" i appen VictronConnect)**
Reläet är avstängt, om inte fläkten inuti växelriktaren är i drift. Använd det här alternativet för att koppla på en extern fläkt, för situationer då växelriktaren är placerad på en liten sluten plats.
- **Avaktiverat relä ("av" i appen VictronConnect)**
Det här alternativet sätter reläet i ÖPPEN position. Använd det här alternativet om du inte har för avsikt att använda reläfunktionen.

5. KONFIGURERING



Inställningarna får enbart utföras av kvalificerad tekniker.
Läs instruktionerna noggrant innan ändringarna genomförs.
Batterierna bör placeras på en torr och välventilerad plats under laddningen.

5.1 Standardinställningar: Färdig att använda

Vid leverans är Phoenix växelriktare inställd på standardfabriksvärden. I allmänhet passar dessa inställningar för fristående drift.

Standardfabriksinställningar

Växelriktarfrekvens	50 Hz
Växelriktarspänning	230 VAC
Sökinställning	av
Programmerbart relälarmfunktion	
Dynamisk avstängning	av

5.2 Förklaring av inställningar

Växelriktarens frekvens

Utgångsfrekvens
Justerbarhet: 50Hz; 60Hz

Spänning, växelriktare

Justerbarhet: 210 - 245V

ECO-läge

Om ECO-läget är aktiverat minskas strömförbrukningen under belastningsfri drift med ungefär 80...90 %. I detta läge stängs Phoenix Inverter Smart av när den arbetar i växelriktarläge, i händelse av ingen belastning eller väldigt låg belastning och sätts igång var 2,5 sekund under en kort period (justerbar). Om utgångsströmmen överskrider en inställd nivå kommer växelriktaren att fortsätta att fungera. Om inte, kommer växelriktaren att stängas av igen.

ECO-läget kan ställas in med tryckknappen på växelriktarens framsida.

ECO-lägets belastningsnivåer för "stäng av" och "förbli påslagen" kan ställas in med Victron Connect.

Standardinställningen är:

Stäng av: 50 Watt (linjär belastning)

Slå på: 100 Watt (linjär belastning)

Programmerbart relä

Som standard är det programmerbara reläet inställt som ett larmrelä, dvs. reläet kommer att göras strömlöst i händelse av ett larm eller ett förlarm (växelriktaren är nästan för varm, brumspänningen på ingången är nästan för hög, batterispänningen är nästan för låg).

Dynamisk avstängning

Använd VictronConnect för att aktivera och konfigurera dynamisk avstängning (se <https://www.victronenergy.com/live/ve.direct:phoenix-inverters-dynamic-cutoff> för fler detaljer).

Använd inte dynamisk avstängning i en installation som även har andra belastningar anslutna till samma batteri: batterispänningen kommer att sjunka på grund av den extra belastningen, men växelriktarens algoritm för dynamisk avstängning är inte medveten om den belastningen och därför kommer växelriktaren att stängas av för tidigt med ett larm för underspänning.

5.3 Konfigurering via dator

Alla inställningar kan ändras med hjälp av en smarttelefon, surfplatta eller dator.

För att ändra inställningar med en smarttelefon eller surfplatta krävs följande:

- VictronConnect-programvara: kan laddas ner gratis från www.victronenergy.com.

För att ändra inställningar med datorn krävs följande:

- VictronConnect-programvara: kan laddas ner gratis från www.victronenergy.com.

- Ett VE.Direct till USB-gränssnitt

6. UNDERHÅLL

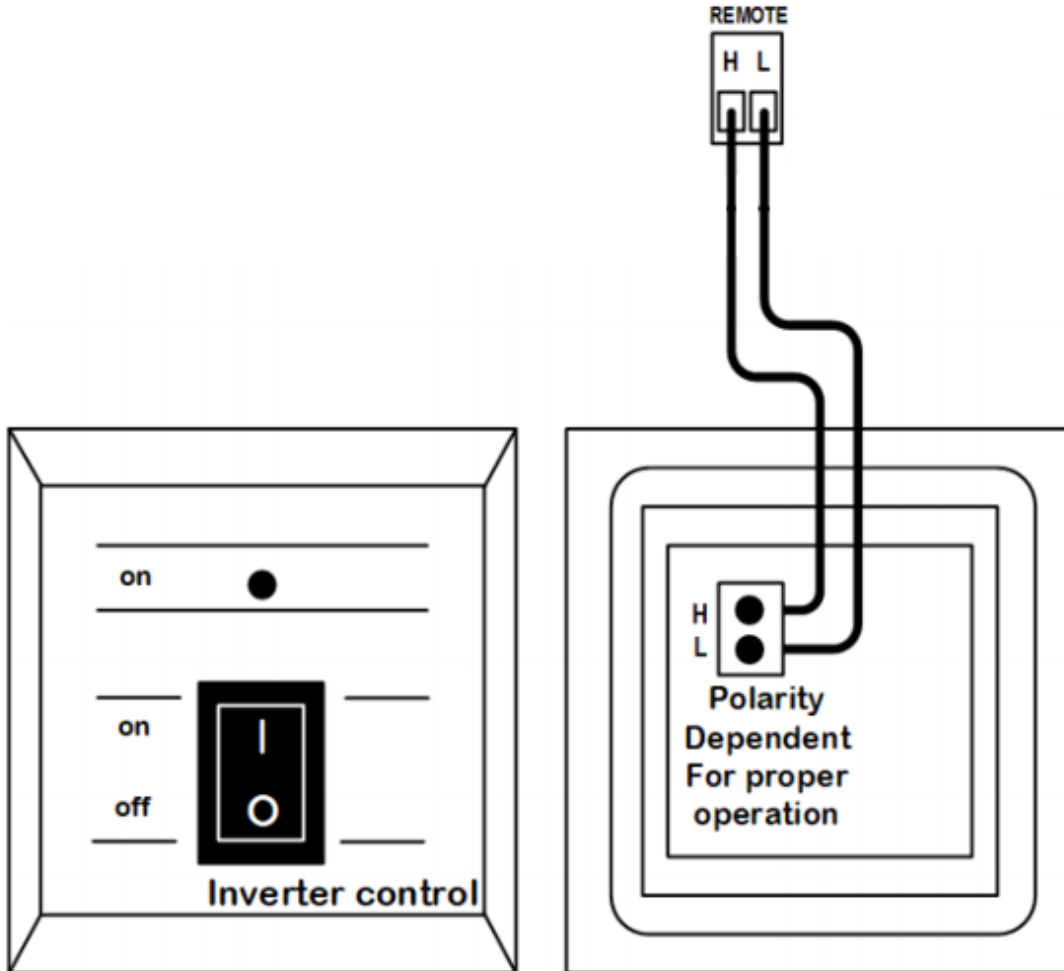
Phoenix Inverter Smart kräver inget särskilt underhåll. Det räcker att inspektera alla anslutningar en gång per år. Undvik fukt och olja/sot/ångor och håll apparaten ren.

7. Tekniska data

Phoenix-växeriktare Smart	12/1600 24/1600 48/1600	12/2000 24/2000 48/2000	12/3000 24/3000 48/3000	24/5000 48/5000
Parallell- och trefasdrift	Nej			
VÄXELRIKTARE				
Spänningsintervall, ingång (1)	9.3 – 17 V 18.6 – 34 V 37.2 – 68 V			
Utgång	Utgångsspänning: 230 VAC ±2 % 50 Hz eller 60 Hz ± 0,1 % (1)			
Kont. utgångsström vid 25 °C (2)	1600 VA	2000 VA	3000 VA	5000 VA
Kont. utgångsström vid 25 °C	1300 W	1600 W	2400 W	4000 W
Kont. utgångsström vid 40 °C	1200 W	1450 W	2200 W	3700 W
Kont. utgångsström vid 65 °C	800 W	1000 W	1700 W	2800 W
Toppeffekt	3000 W	4000 W	6000 W	10000 W
Dynamisk (beroende av belastning) låg DC avstängning (fullt konfigurerbar)	Dynamisk avstängning, se https://www.victronenergy.com/live/ve.direct:phoenix-inverters-dynamic-cutoff			
Högsta verkningsgrad 12/ 24/ 48 V	92 / 94 / 94%	92 / 94 / 94%	93 / 94 / 95%	95 / 96%
Nollbelastningseffekt 12/ 24/ 48 V	8 / 9 / 11 W	8 / 9 / 11 W	12 / 13 / 15 W	18 / 20 W
Nollbelastningseffekt i ECO-läge	0.6 / 1.3 / 2.1 W	0.6 / 1.3 / 2.1 W	1.5 / 1.9 / 2.8 W	2.2 / 3.2 W
ALLMÄNT				
Programmerbart relä (2)	Ja			
Stop och starteffekt ECO-läge	justerbar			
Skydd (3)	a - g			
Bluetooth trådlös kommunikation	För fjärrstyrning och systemintegration			
- VE.Direct kommunikationsport	För fjärrstyrning och systemintegration			
Fjärrstyrning på/av	Ja			
Allmänna egenskaper	Driftstemperaturintervall -40 till +50 °C (fläktassisterad kylning) Fuktighet (icke-kondenserande): max 95 %			
HÖLJE				
Allmänna egenskaper	Material och färg: stål (blå RAL 5012 och svart RAL 9017)			Skyddskategori: IP 21
Batterianslutning	M8-bultar	M8-bultar	12 V/24 V: 2+2 M8-bultar 48 V: M8-bultar	24 V: 2+2 M8-bultar 48 V: M8-bultar
230 VAC-anslutning	Skruvterminaler			
Vikt	12kg	13kg	19kg	29kg / 28kg
Dimensioner (h x b x d)	485 x 219 x 125mm	485 x 219 x 125mm	533 x 285 x 150mm (12 V) 485 x 285 x 150mm (24 V/48 V)	595 x 295 x 160mm (24 V) 555 x 295 x 160mm (48 V)
STANDARDER				
Säkerhet	EN 60335-1			
Emission/ Immunitet	EN 55014-1 / EN 55014-2/ IEC 61000-6-1 / IEC 61000-6-2 / IEC 61000-6-3			
Motorfordonsdirektiv	ECE R10-5			
1) Icke-linjär belastning, toppfaktor 3:1				
2) Programmerbart relä som bland annat kan ställas in för allmänt larm, DC-underspänning eller start-/stoppfunktion för generator AC-kapacitet: 230 V/ 3 A DC-kapacitet: 3 A upp till 30 VDC, 0,2 A upp till 70 VDC	3) Skyddsnyckel: a) utgångskortslutning b) överbelastning c) för hög batterispänning d) för låg batterispänning e) temperatur för hög f) 230 V AC på växelriktarutgång g) för hög ingångsbrumspänning			

EN Appendix A: Inverter control

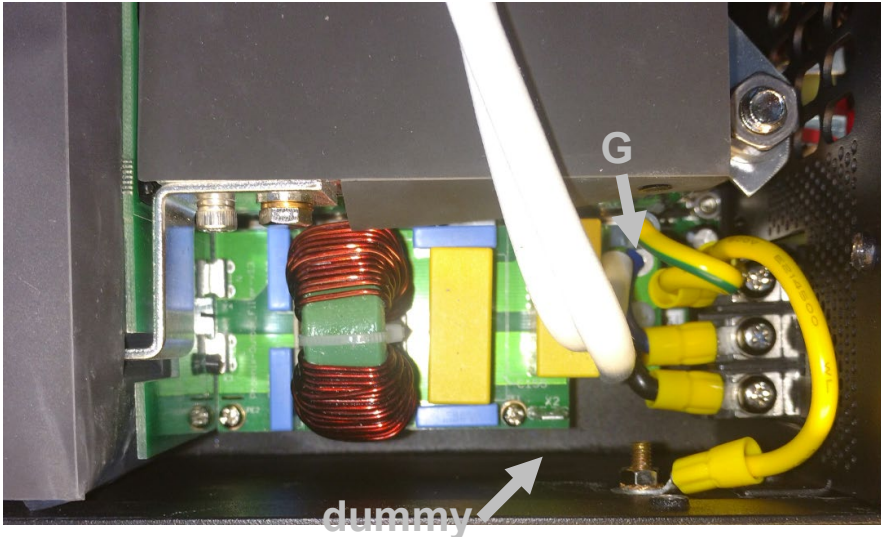
- NL Bijlage A: Besturing van de omvormer
- FR Annexe A : Contrôle du convertisseur
- DE Anhang A: Wechselrichtersteuerung
- ES Apéndice A: Control del inversor
- SV Bilaga A: Växelriktarkontroll



Appendix B: Installation information 1600VA/2000VA

This ground wire "G" connects the output neutral to ground. It must be repositioned to a 'dummy' terminal if a floating output is required.

When a floating output is obtained the current reading at no load can show an offset of around 100...150mA. Also beware that the GFCI (or RCCB) will **not** function properly.

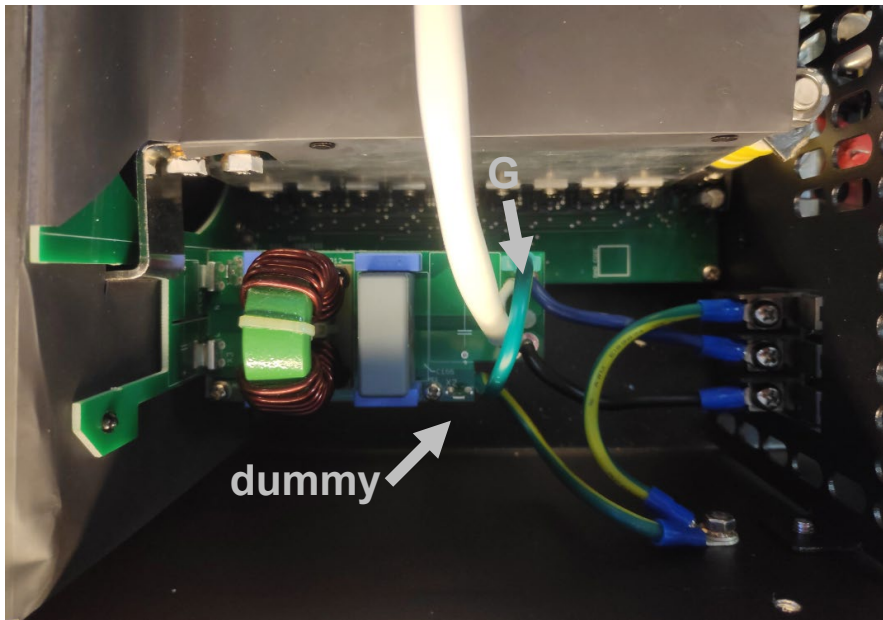


NL	<p>Bijlage B: Installatie-informatie</p> <p>Deze aardingsdraad "G" verbindt de uitgangneutraal met aarde. Het moet worden verplaatst naar een 'dummy' terminal als een zwevende uitgang vereist is.</p> <p>Wanneer een zwevende uitvoer wordt verkregen, kan de huidige waarde bij nullast een offset van ongeveer 100...150mA laten zien. Pas ook op dat de GFCI (of RCCB) niet goed zal werken.</p>
FR	<p>Annexe B : Information relative à l'installation</p> <p>Ce câble de mise à la terre « G » raccorde le neutre de la sortie à la terre. Il doit être repositionné à une borne « fictive » si une sortie flottante est nécessaire.</p> <p>Si une sortie flottante est obtenue, la lecture de courant Pas-de-charge peut afficher un décalage d'environ 100...150 mA. Attention : le GFCI (ou RCCB) ne fonctionnera pas correctement.</p>
DE	<p>Anhang B: Information zur Installation</p> <p>Dieser Erdungsdraht "G" verbindet den Nulleiter des Ausgangs mit der Erde. Wenn ein "floating" (potentialfreier) Ausgang gewünscht wird, muss er an eine "Dummy"-Anschlussklemme neu angeschlossen werden.</p> <p>Wenn der „Floating“ Ausgang eingerichtet ist, kann es beim ermittelten Stromwert ohne angeschlossene Lasten eine Verschiebung von ca. 100...150 mA geben. Bedenken Sie außerdem, dass der FI-Schutzschalter (bzw. der Fehlerstromschutzschalter) nicht ordnungsgemäß funktionieren wird.</p>
ES	<p>Apéndice B: Instrucciones de instalación</p> <p>Este cable de puesta a tierra "G" conecta la salida neutra a tierra. Debe reubicarse en una conexión ficticia si se necesita una salida flotante.</p> <p>Cuando se obtiene una salida flotante, la lectura de corriente sin carga puede mostrar una descompensación de entorno a 100...150 mA. Tenga también en cuenta que el GFCI (o RCCB) no funcionará correctamente.</p>
SV	<p>Bilaga B: Installationsinformation</p> <p>Den jordade kabeln "G" kopplar den neutrala utgången till jord. Den måste flyttas till en falsk (dummy) terminal om en flytande utgång krävs.</p> <p>När en flytande utgång är tillgänglig kan strömläsningen utan belastning visa en avvikelse på ca 100... 150 mA. Tänk också på att GFCI (eller RCCB) inte kommer att fungera korrekt.</p>

Appendix C: Installation information 3000VA/5000VA

This ground wire "G" connects the output neutral to ground. It must be repositioned to a 'dummy' terminal if a floating output is required.

When a floating output is obtained the current reading at no load can show an offset of around 100...150mA. Also beware that the GFCI (or RCCB) will **not** function properly.



NL	<p>Bijlage C: Installatie-informatie</p> <p>Deze aardingsdraad "G" verbindt de uitgang neutraal met aarde. Het moet worden verplaatst naar een 'dummy' terminal als een zwevende uitgang vereist is.</p> <p>Wanneer een zwevende uitvoer wordt verkregen, kan de huidige waarde bij nullast een offset van ongeveer 100...150mA laten zien. Pas ook op dat de GFCI (of RCCB) niet goed zal werken.</p>
FR	<p>Annexe C : Information relative à l'installation</p> <p>Ce câble de mise à la terre « G » raccorde le neutre de la sortie à la terre. Il doit être repositionné à une borne « fictive » si une sortie flottante est nécessaire.</p> <p>Si une sortie flottante est obtenue, la lecture de courant Pas-de-charge peut afficher un décalage d'environ 100...150 mA. Attention : le GFCI (ou RCCB) ne fonctionnera pas correctement.</p>
DE	<p>Anhang C: Information zur Installation</p> <p>Dieser Erdungsdraht "G" verbindet den Nulleiter des Ausgangs mit der Erde. Wenn ein "floating" (potentialfreier) Ausgang gewünscht wird, muss er an eine "Dummy"-Anschlussklemme neu angeschlossen werden.</p> <p>Wenn der „Floating“ Ausgang eingerichtet ist, kann es beim ermittelten Stromwert ohne angeschlossene Lasten eine Verschiebung von ca. 100...150 mA geben. Bedenken Sie außerdem, dass der FI-Schutzschalter (bzw. der Fehlerstromschutzschalter) nicht ordnungsgemäß funktionieren wird.</p>
ES	<p>Apéndice C: Instrucciones de instalación</p> <p>Este cable de puesta a tierra "G" conecta la salida neutra a tierra. Debe reubicarse en una conexión ficticia si se necesita una salida flotante.</p> <p>Cuando se obtiene una salida flotante, la lectura de corriente sin carga puede mostrar una descompensación de entorno a 100...150 mA. Tenga también en cuenta que el GFCI (o RCCB) no funcionará correctamente.</p>
SV	<p>Bilaga C: Installationsinformation</p> <p>Den jordade kabeln "G" kopplar den neutrala utgången till jord. Den måste flyttas till en falsk (dummy) terminal om en flytande utgång krävs.</p> <p>När en flytande utgång är tillgänglig kan strömläsningen utan belastning visa en avvikelse på ca 100... 150 mA. Tänk också på att GFCI (eller RCCB) inte kommer att fungera korrekt.</p>

Victron Energy Blue Power

Distributor:

Serial number:

Version : 00
Date : September 7th, 2020

Victron Energy B.V.
De Paal 35 | 1351 JG Almere
PO Box 50016 | 1305 AA Almere | The Netherlands

General phone : +31 (0)36 535 97 00
E-mail : sales@victronenergy.com

www.victronenergy.com