

## Tender Text



Note! Product picture may differ from actual product

Product No.: [95027330](#)

### SQF 2.5-2

The 3" SQFlex pump with helical rotor is for high heads and low flow rates.

The SQFlex system is a reliable water supply system based on renewable energy sources, such as solar and wind energy.

Thanks to its flexible energy supply and performance, the SQFlex system can be combined and adapted to meet any need on the installation site.

The SQFlex system has a wide voltage range, built-in maximum power point tracking (MPPT) as well as dry-running, voltage and overload protection.

### Liquid:

Pumped liquid: Water  
Maximum liquid temperature: 40 °C  
Liquid temperature during operation: 20 °C  
Density: 998.2 kg/m<sup>3</sup>

### Technical:

Approvals on motor nameplate: CE,RCM,EAC

### Materials:

Pump: Stainless steel  
DIN W.-Nr. 1.4301  
AISI 304  
Impeller: DIN W.-Nr. 1.4301

### Installation:

Maximum ambient pressure: 15 bar  
Pump outlet: Rp 1 1/4  
Minimum borehole diameter: 76 mm

### Electrical data:

Motor type: MSF3  
Power input - P1: 1.4 kW  
Rated voltage ac: 1 x 90-240 V  
Rated voltage dc: 30-300 V  
Rated current: 8.4 A  
Power factor: 1,0  
Rated speed: 500-3600 rpm  
Start. method: direct-on-line  
Enclosure class (IEC 34-5): IP68



**Company name:** Phaesun GmbH

**Created by:**


**Phone:**

**Date:** 02/01/2017

Insulation class (IEC 85): F  
Length of cable: 2 m  
Udc: 300 V  
30 V

**Others:**

Minimum efficiency index, MEI : -.-  
Net weight: 8.2 kg  
Gross weight: 10 kg  
Shipping volume: 0.024 m<sup>3</sup>

Position	Qty.	Description
	1	<p><b>SQF 2.5-2</b></p>  <p style="text-align: right;"><b>Note! Product picture may differ from actual product</b></p> <p>Product No.: <a href="#">95027330</a>            The 3" SQFlex pump with helical rotor is for high heads and low flow rates.</p> <p>The SQFlex system is a reliable water supply system based on renewable energy sources, such as solar and wind energy.            Thanks to its flexible energy supply and performance, the SQFlex system can be combined and adapted to meet any need on the installation site.</p> <p>The SQFlex system has a wide voltage range, built-in maximum power point tracking (MPPT) as well as dry-running, voltage and overload protection.</p> <p><b>Liquid:</b>            Pumped liquid: Water            Maximum liquid temperature: 40 °C            Liquid temperature during operation: 20 °C            Density: 998.2 kg/m<sup>3</sup></p> <p><b>Technical:</b>            Approvals on motor nameplate: CE,RCM,EAC</p> <p><b>Materials:</b>            Pump: Stainless steel                      DIN W.-Nr. 1.4301                      AISI 304            Impeller: DIN W.-Nr. 1.4301</p> <p><b>Installation:</b>            Maximum ambient pressure: 15 bar            Pump outlet: Rp 1 1/4            Minimum borehole diameter: 76 mm</p> <p><b>Electrical data:</b>            Motor type: MSF3            Power input - P1: 1.4 kW            Rated voltage ac: 1 x 90-240 V            Rated voltage dc: 30-300 V            Rated current: 8.4 A            Power factor: 1,0            Rated speed: 500-3600 rpm            Start. method: direct-on-line            Enclosure class (IEC 34-5): IP68            Insulation class (IEC 85): F            Length of cable: 2 m</p>



Company name: Phaesun GmbH

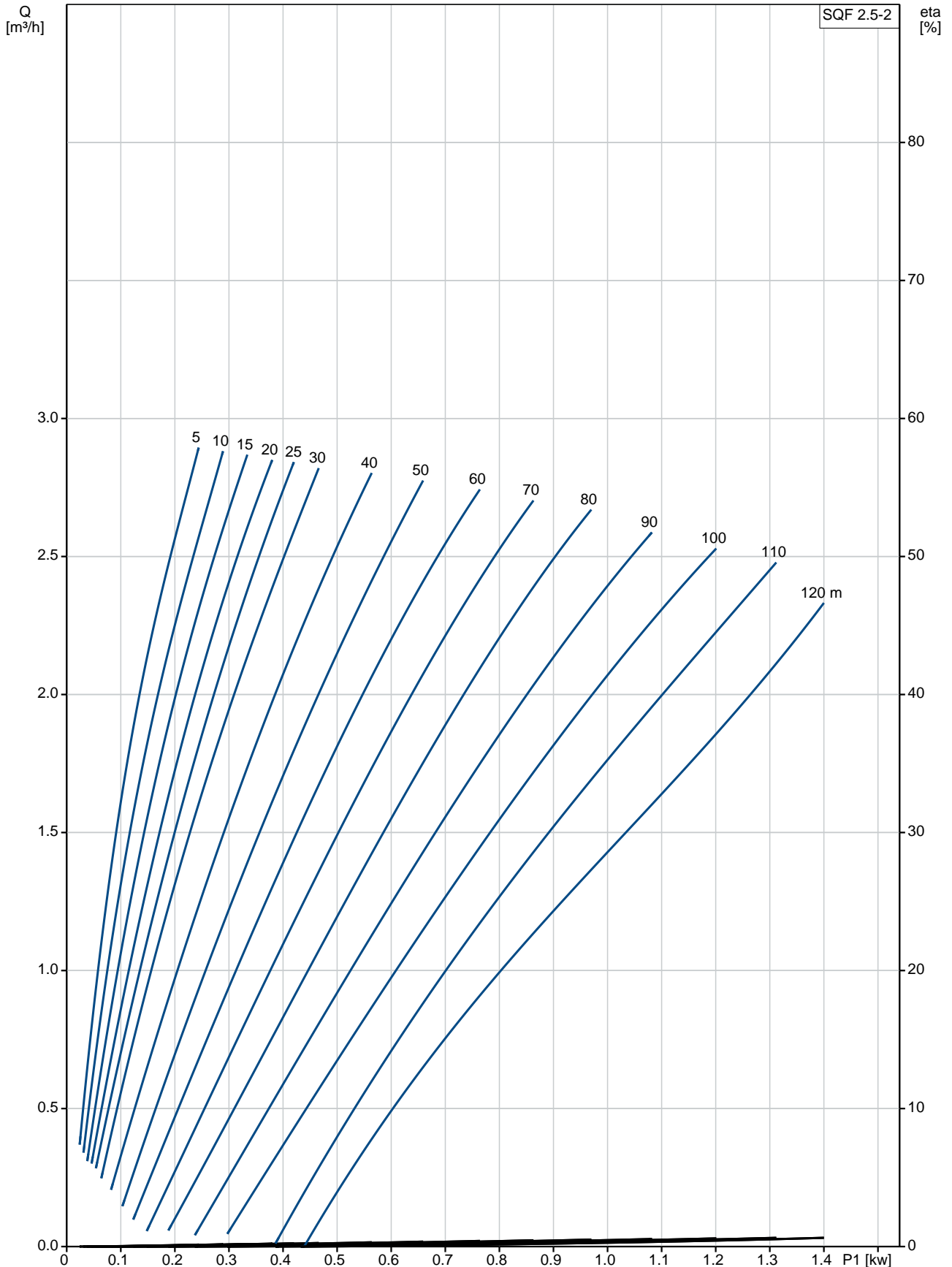
Created by:

Phone:

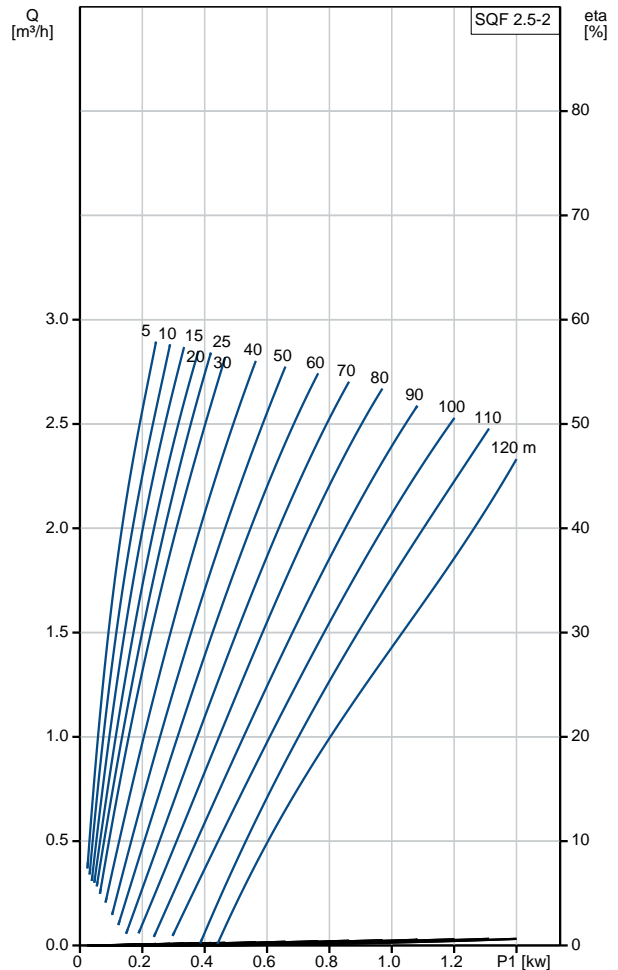
Date: 02/01/2017

Position	Qty.	Description
		Udc: 300 V 30 V
		<b>Others:</b> Minimum efficiency index, MEI : -.-- Net weight: 8.2 kg Gross weight: 10 kg Shipping volume: 0.024 m <sup>3</sup>

## 95027330 SQF 2.5-2 50 Hz



Description	Value
<b>General information:</b>	
Product name:	SQF 2.5-2
Product No:	95027330
EAN number:	5700834791741
<b>Technical:</b>	
Approvals on motor nameplate:	CE,RCM,EAC
Pump No:	95027414
Stages:	2
Valve:	pump with built-in non-return valve
<b>Materials:</b>	
Pump:	Stainless steel DIN W.-Nr. 1.4301 AISI 304
Impeller:	DIN W.-Nr. 1.4301
Rotor:	Stainless steel DIN W.-Nr. 1.4301 AISI 304
Stator:	Stainless steel / EPDM DIN W.-Nr. 1.4301 AISI 304
<b>Installation:</b>	
Maximum ambient pressure:	15 bar
Pump outlet:	Rp 1 1/4
Minimum borehole diameter:	76 mm
<b>Liquid:</b>	
Pumped liquid:	Water
Maximum liquid temperature:	40 °C
Liquid temperature during operation:	20 °C
Density:	998.2 kg/m <sup>3</sup>
<b>Electrical data:</b>	
Motor type:	MSF3
Power input - P1:	1.4 kW
Rated voltage ac:	1 x 90-240 V
Rated voltage dc:	30-300 V
Rated current:	8.4 A
Power factor:	1,0
Rated speed:	500-3600 rpm
Start. method:	direct-on-line
Enclosure class (IEC 34-5):	IP68
Insulation class (IEC 85):	F
Motor protec:	Y
Thermal protec:	internal
Length of cable:	2 m
Motor No:	96275336
Udc:	300 V 30 V
<b>Others:</b>	
Minimum efficiency index, MEI :	-.--
Net weight:	8.2 kg
Gross weight:	10 kg
Shipping volume:	0.024 m <sup>3</sup>





**Company name:** Phaesun GmbH

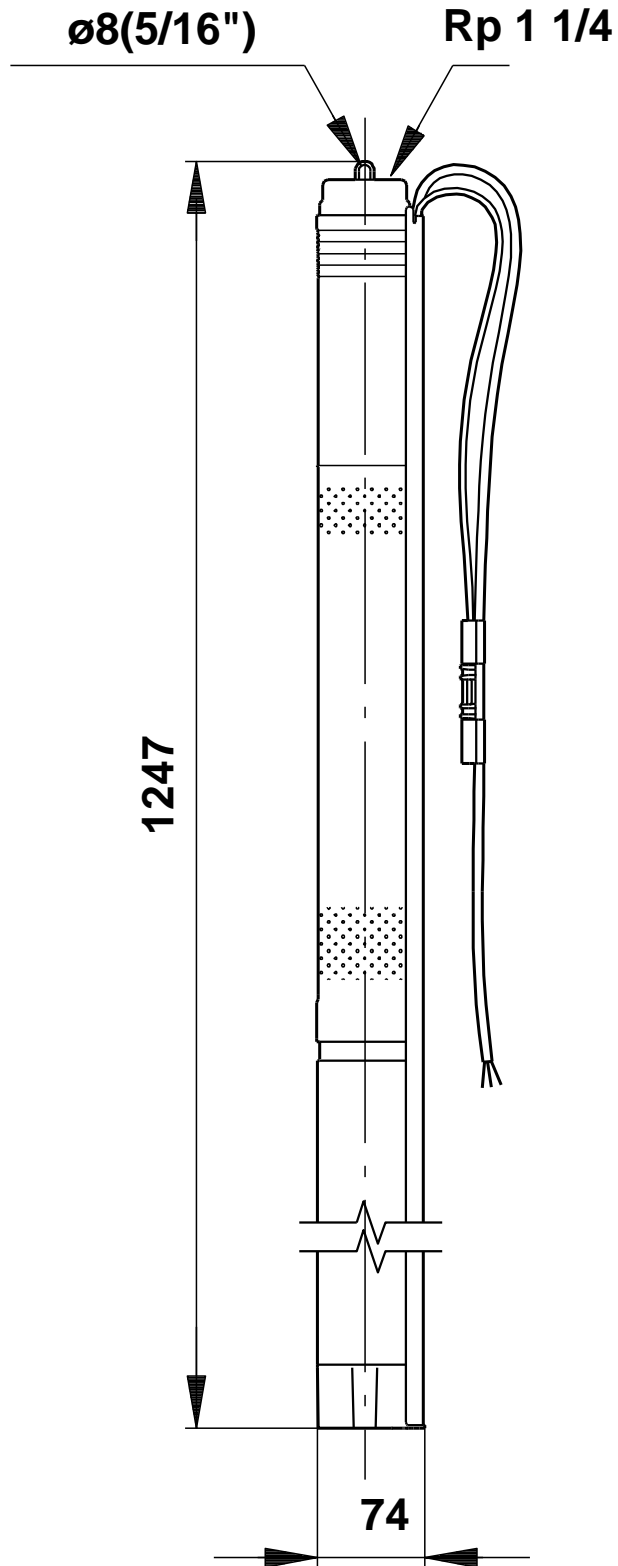
**Created by:**

**Phone:**

**Date:** 02/01/2017

Description	Value
Sales region:	Europe/South America/Japan

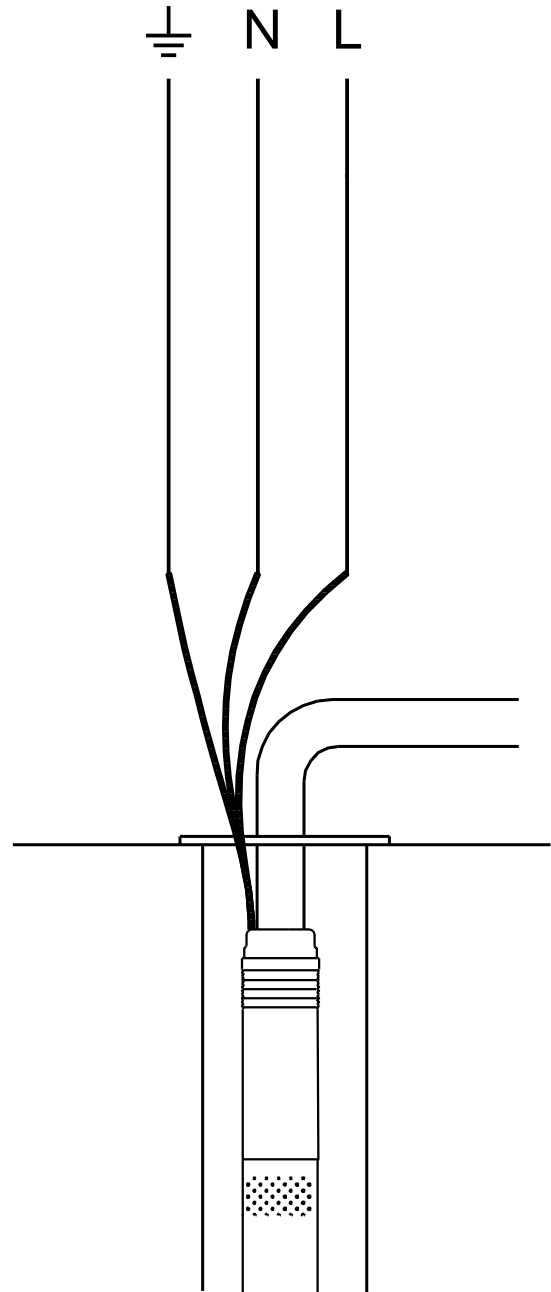
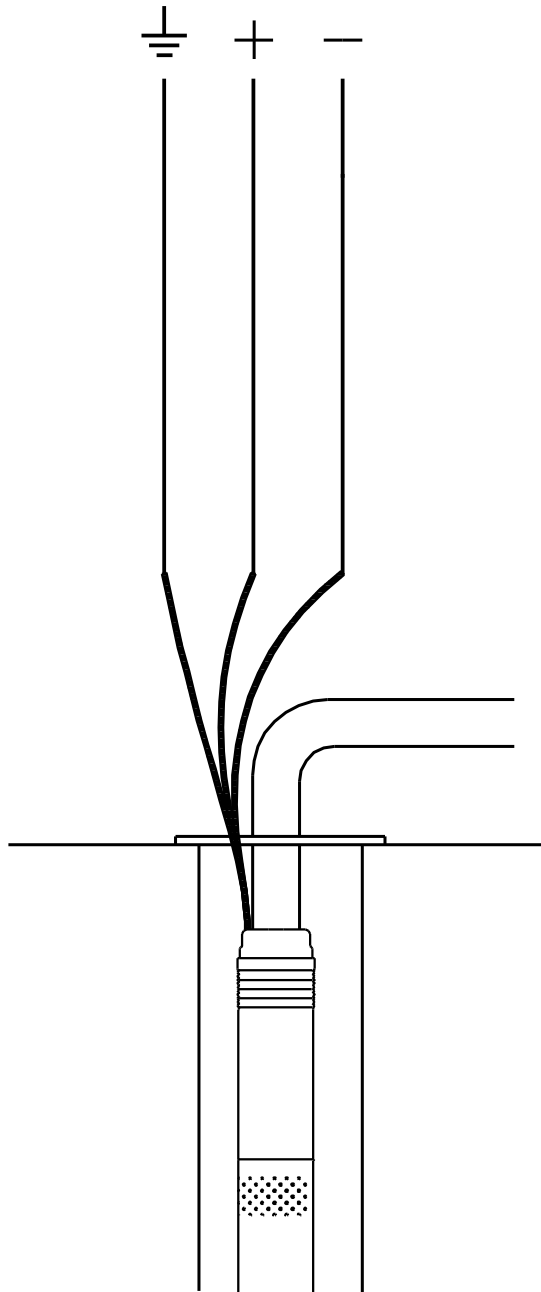
**95027330 SQF 2.5-2 50 Hz**



Note! All units are in [mm] unless others are stated.  
Disclaimer: This simplified dimensional drawing does not show all details.

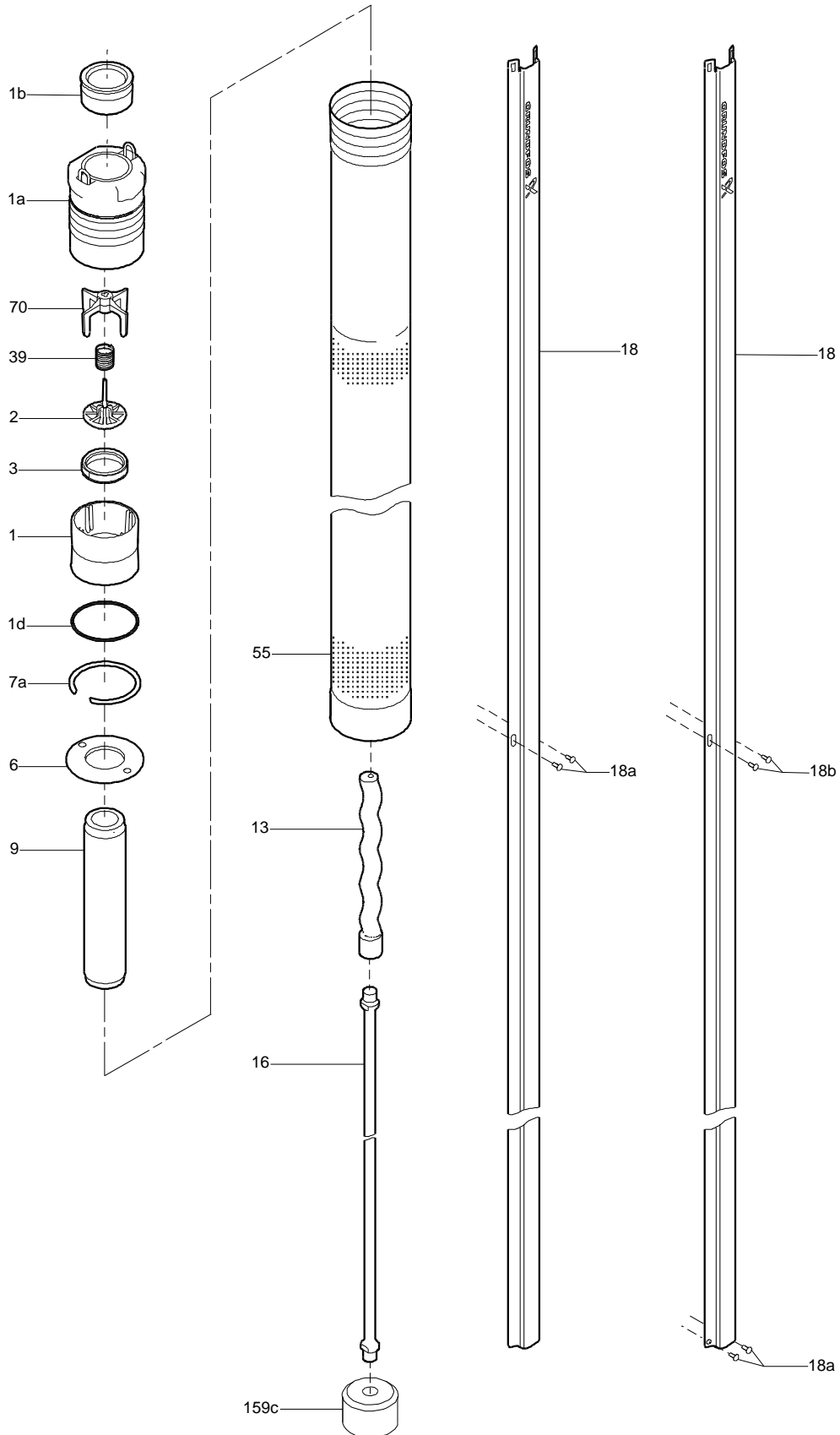


**95027330 SQF 2.5-2 50 Hz**



Note! All units are in [mm] unless others are stated.

Exploded view ( TM043306)



## Exploded view ( TM043307)

