

Rural Electrification Kits

En Light

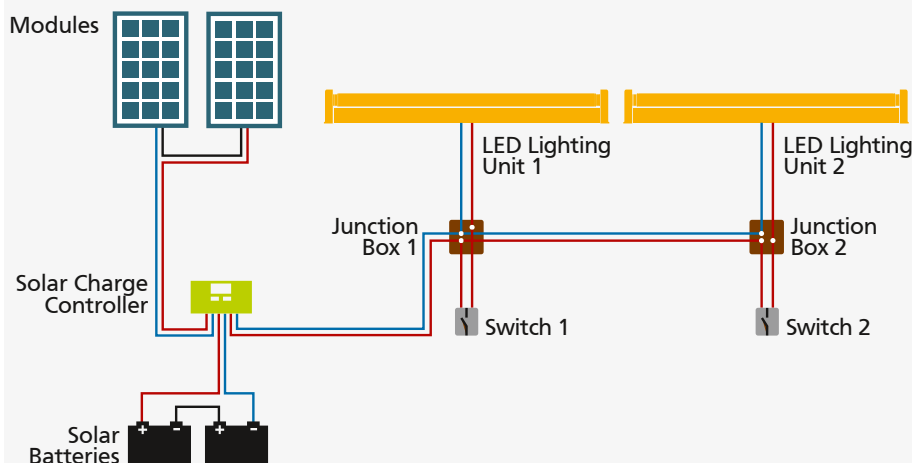
600042, 600043, 600044 · 10/2015

The Phaesun Lightkit is an easy-to-install turnkey solution for bright illumination of large rooms. Phaesun offers a complete kit for solar lighting including two light tubes, all equipment for charging, accessories and installation manual. The kits give light for 6 hours a day. Ideal for the use in schools, public administrations, health posts etc. The system voltage is 24 Volt.

Each kit is available in four different variations according to the relevant irradiation zones. Have a look on the irradiation map on the back, find out in which irradiation group (IG 1 – 4) your system will be located and get the right article number for your perfectly fitting kit.



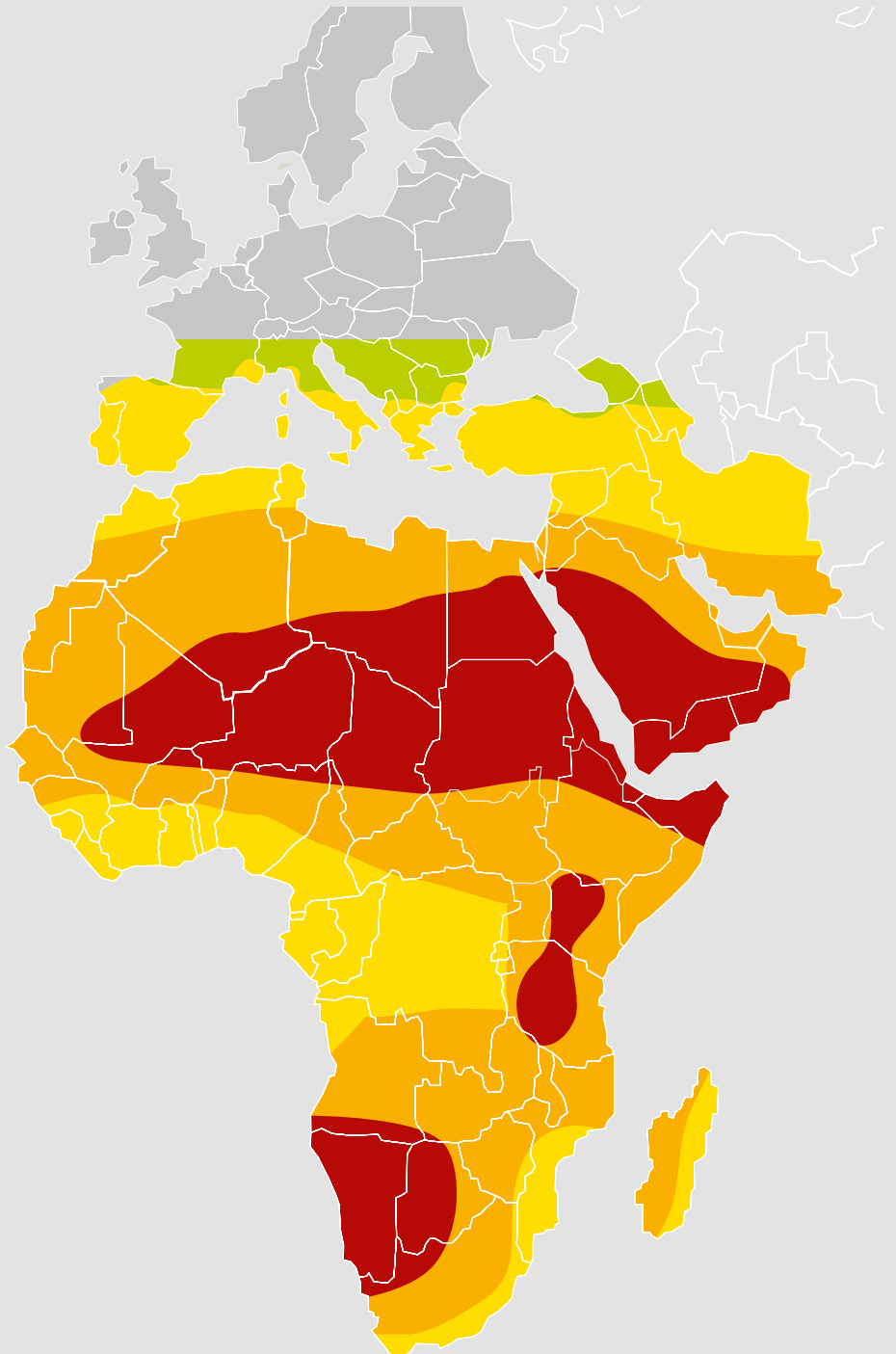
Article	Weight	Irradiation	Irradiation Group	Article No.
En Light IG 1+2	34.56 kg	≈ 5-6 kWh/m ²	 1+2	600042
2 LED Tubes (11 W/1,100 lm), 2 Modules (20 W), 2 Batteries (38 Ah)				
En Light IG 3	37.15 kg	≈ 4 kWh/m ²	 3	600043
2 LED Tubes (11 W/1,100 lm), 2 Modules (30 W), 2 Batteries (38 Ah)				
En Light IG 4	36.75 kg	≈ 3 kWh/m ²	 4	600044
2 LED Tubes (11 W/1,100 lm), 2 Modules (35 W), 2 Batteries (38 Ah)				



Pcs.	Components
2	Solar Modules 12 VDC
2	LED Tubes 11 W, 24 VDC
2	AGM Battery 12 VDC
1	Charge Controller 6 A, 12/24 VDC
1	Module support structure
-	Installation material

Global horizontal irradiation:

The system components depend on the solar irradiation of the specific location. Find out your irradiation group and choose the adapted kit.



Average daily sum:

- Irradiation Group IG 1:
≈ 6 kWh/m²
- Irradiation Group IG 2:
≈ 5 kWh/m²
- Irradiation Group IG 3:
≈ 4 kWh/m²
- Irradiation Group IG 4:
≈ 3 kWh/m²

Phaesun France SAS

145, rue de la Marbrerie
Boîte aux lettres n°4
34740 Vendargues
France

Phone +33 (0) 4 67 04 38 40
Fax +33 (0) 4 67 41 09 79
info@phaesun.fr

Phaesun GmbH

Brühlweg 9
87700 Memmingen
Germany

Phone +49 (8331) 990 42 0
Fax +49 (8331) 990 42 12
info@phaesun.com

www.phaesun.com

As a committed member, Phaesun are involved in all activities of the following organisations:



Winner of:

